

NEW

# Thermologika® Design

the Elegant side of Heat!



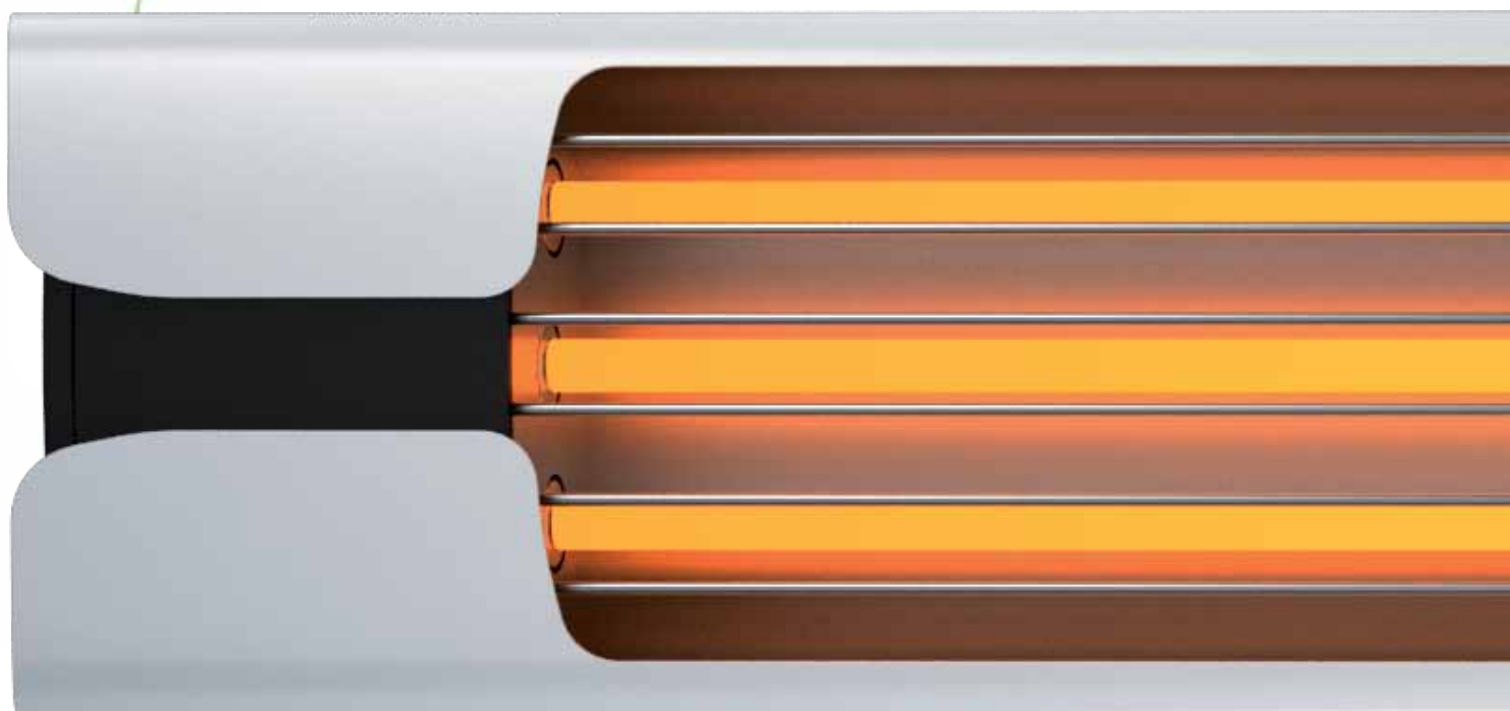
Infrared wall heater



[www.vortice-export.com](http://www.vortice-export.com)



# Thermologika® Desi



Thermologika® Design Standard finish: polished light grey  
code 70003

## Polished finish



Thermologika® Design Grigio  
code 70004

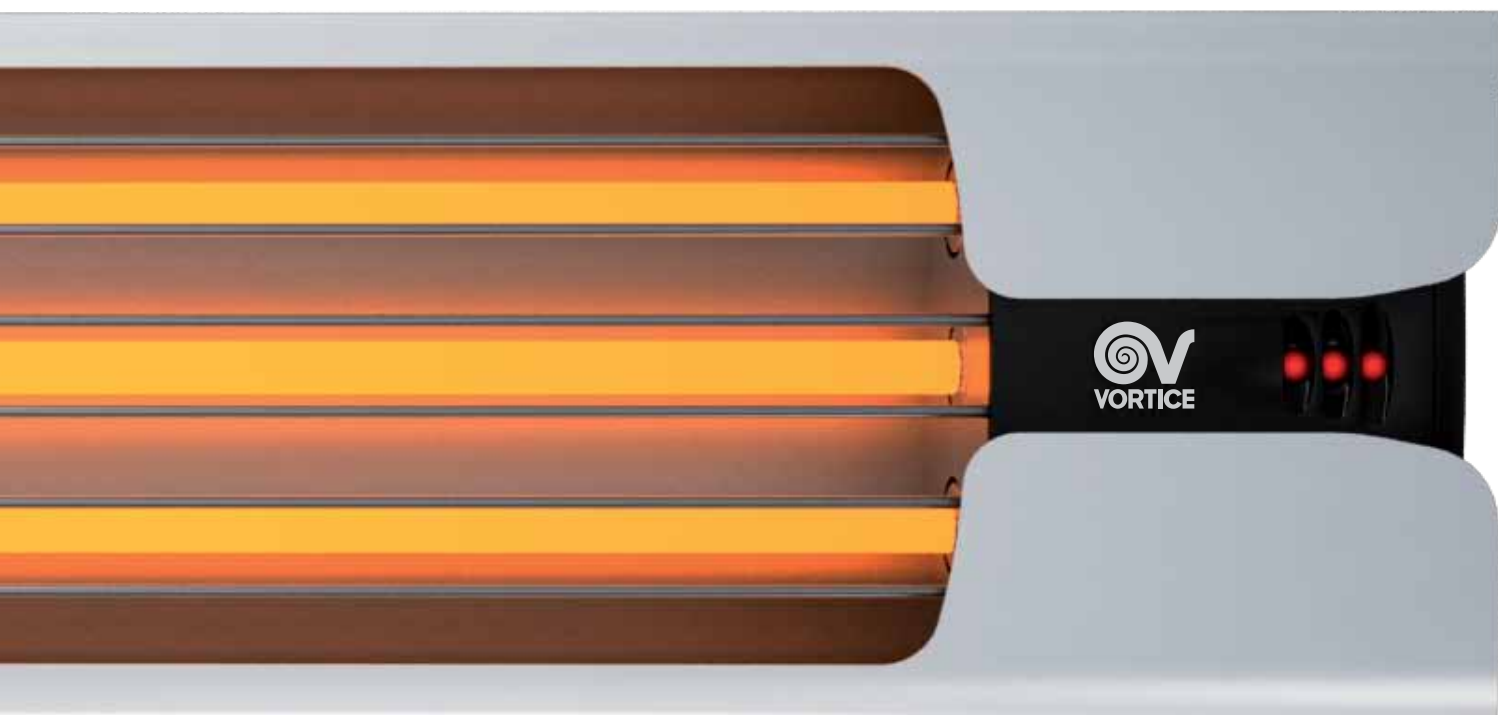
---



Thermologika® Design Blu  
code 70006

---

# gn... the Elegant side of Heat!



## Embossed finish

Thermologika® Design Bianca  
code 70007

---



Thermologika® Design  
Grigio Antracite  
code 70005

---



# Thermologika® Design

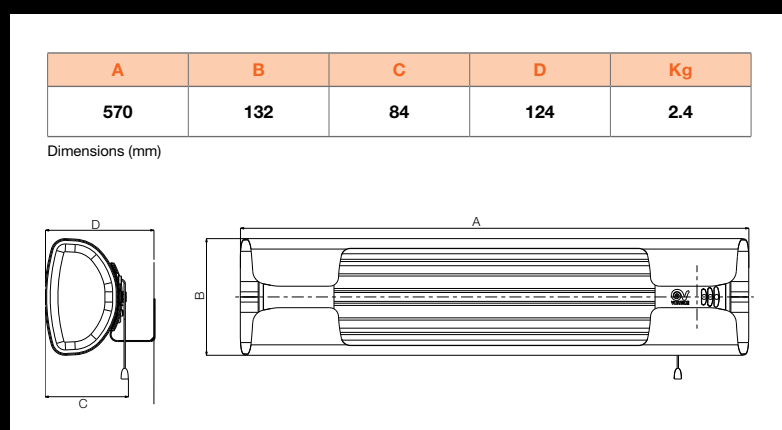
- Elegant and modern design to suit any room.
- Ideal for domestic and commercial applications where instant heat is required.
- Available in 5 colours and various finishes.
- Can be tilted by approx. 20° to direct the infrared rays towards the area you wish to heat.
- Black die-cast aluminium side panels.
- Grille constructed using stainless steel rods.
- 3 infrared lamps, each with a power of 600 W, for heating by radiation.
- Terminal box for electrical connection housed at the rear on the left-hand side.
- Time required to reach full power 30".
- 3 power levels can be selected using a pull cord: 600 W - 1200 W - 1800 W.
- Option of controlling the individual lamps using external switches and isolating the commutator when performing electrical connection.
- Wall installation with minimal dimensions thanks to sliding brackets and plugs secured with a safety screw.
- Insulation class: Cl.I. ⚡

## Accessories:

- Thermologika® Design bracket kit for installation of 2 lamps in series or parallel: code 22496.
- Quartz tube: code 22985.

Design: Volpi Design

## Dimensions:



## Technical data

V~50/60 Hz	W	A	IP
230	1800 (600+600+600)	7.8	X4

CE Marking

The new Thermologika Design® infrared lamp conforms to the most recent edition of the following standards:

- EN 60335-1, EN 60335-2-30, EN 62233, relating to Electrical Safety.
- EN 55014-1, EN 55014-2, EN 61000-3-2 and EN 61000-3-3, regarding Electromagnetic Compatibility.
- 2006/95/EC, Low Voltage directive, and 2004/108/EC, Electromagnetic Compatibility directive.