



VORTICE

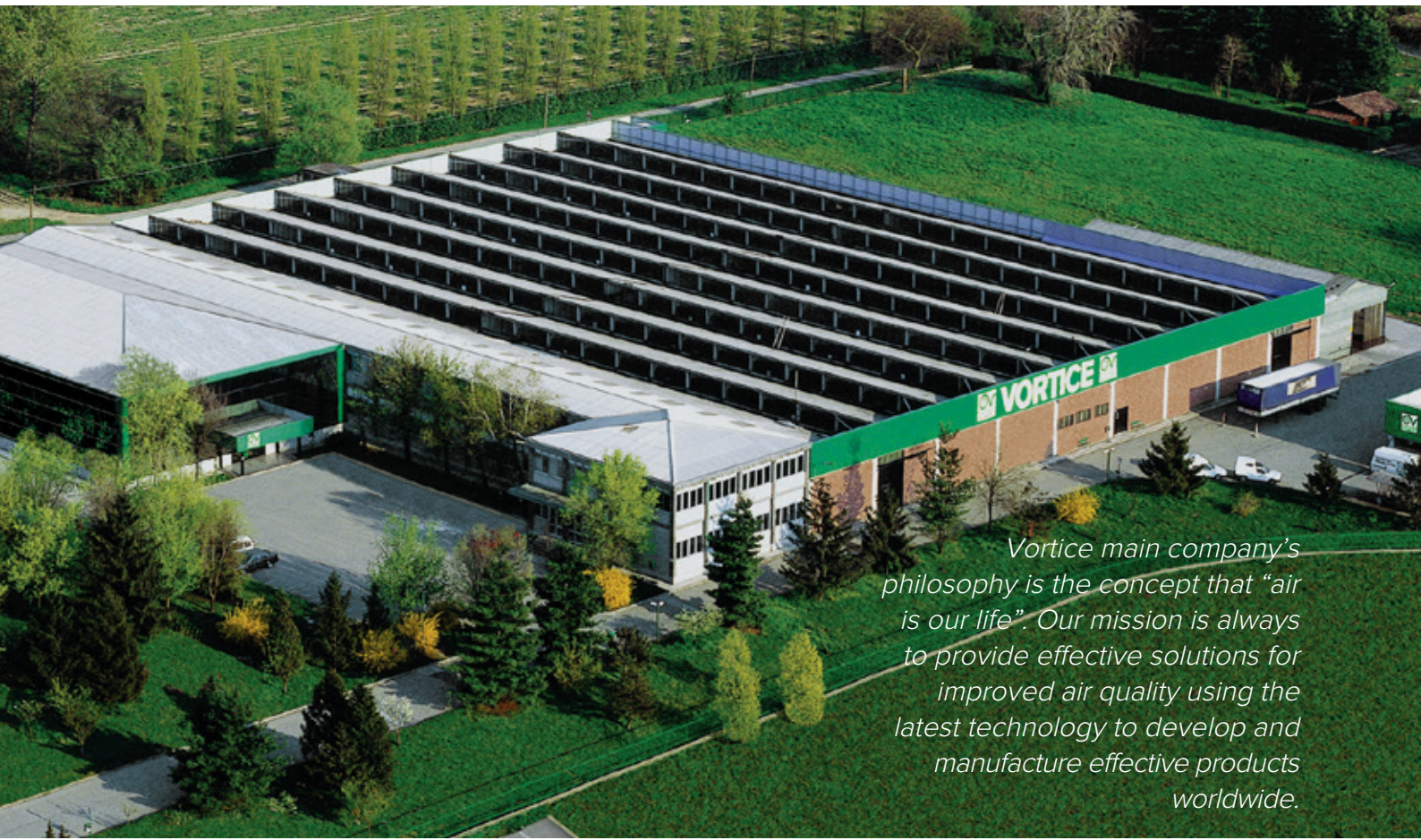
vortice.com



ELECTRIC HEATING 

HEATING

NEWS



Vortice main company's philosophy is the concept that "air is our life". Our mission is always to provide effective solutions for improved air quality using the latest technology to develop and manufacture effective products worldwide.

Our current Vortice Headquarters have been located in Tribiano (Milan) since 1972.

Vortice has achieved European market leadership by dedicating their efforts to the production of products for ventilation, climate control, heating, extraction, purification and the treatment of air, for domestic, commercial and industrial applications. Since 1954 Vortice has been synonymous with quality and excellence and continues to make significant improvements by investing in continuous research to improve the efficiency and quality of its products.

VORTICE IN THE WORLD

ENGLAND



Founded in 1977, Vortice Limited is located at Burton on Trent in the East Midlands.

CHINA



Founded in 2012, Vortice Ventilation System is located about 200 Km from Shanghai.

SOUTH AMERICA



Founded in 2012, Vortice Latam in San José Costa Rica.

INDEX

04	CALDOMI RANGE Portable fan heater	28	MICROSOL RANGE Compact wall-mounted fan heaters
08	SCALDATUTTO RANGE Portable fan heater	32	THERMOLOGIKA® RANGE Infrared wall heater
12	MICROCOMFORT RANGE Wall-mounted fan heater with towel heater function	36	THERMOLOGIKA® DESIGN RANGE Infrared wall heater
16	CALDORÈ RANGE Portable convector/fan heaters	40	THERMOLOGIKA SOLEIL SYSTEM RANGE Wall-mounted infrared lamp for indoor and outdoor use
20	CALDOPRO RANGE Portable professional fan heaters	44	CALDOFÀ RANGE Fireplace fan heaters
24	MICRORAPID RANGE Compact wall-mounted fan heaters		

NEW

CE MARKING

Electric Heating products comply with the following European Directives:

- Low Voltage Directive (LVD) - 2014/35/EU;
- Electromagnetic Compatibility Directive (EMC) - 2014/30/EU;
- Electrical and Electronic Equipment Waste Directive (WEEE) - 2012/19/EU,
- Restriction of Hazardous Substances in Electrical and Electronic Equipment (RoHS) - 2011/65/EU.



CALDOMÌ® RANGE

Portable fan heater

Portable electric fan heater which provides an effective, rapid and aesthetically pleasing solution to heat integration needs on primary systems in domestic and commercial environments.

- Plastic resin self-extinguishing enclosures to guarantee safe use.
- Heating element can be excluded to allow for use as a fan.

Note: This product is not suitable for primary heating. This product is only suitable for properly insulated rooms or for occasional use.



Rotary switches positioned on the right flank to select the desired power and temperature.



On the ground, simply mount the support foot at the bottom central hole of the rear enclosure.

TECHNICAL FEATURES

- 1 model
- Plastic resin enclosure; front cover made of self-extinguishing ABS, grey-painted; rear cover incorporating the extraction grille in self-extinguishing PP. Air outlet grille in PP on the front cover.
- Nylon (PA) centrifugal impeller loaded with heat-resistant glass fibre, turned by self-aligning and self-lubricating bushings.
- Needle heating element with two pre-selectable power levels (1,000 and 2,000 W), equipped with manually resettable thermal overload limiter.
- 4-position rotary switch to control product start-up, shut-down, deactivation of the heating element (the device works as a common fan) and selection of the desired power level.
- Room thermostat to set and maintain the desired temperature, preventing energy waste. The antifreeze function automatically activates the fan heater whenever the temperature drops below 5°C.
- Support feet on the back of the device for more secure vertical positioning on the floor or on a tabletop.
- Built-in recoil cord winder.
- Approx. 2 m power cord, complete with Shuko plug.
- Safety certified by third party body: (CE).
- Protection rating from dust and water: IPX1 (suitable for installation in bathroom Zone 3).
- Class of electric isolation: II (earthing not required).





CALDOMI® RANGE

Portable fan heater

TECHNICAL DATA

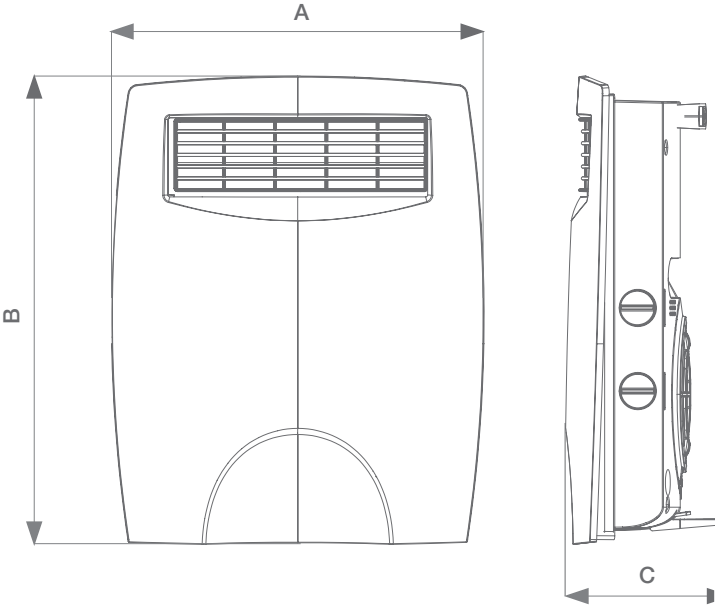
PRODUCTS	CODE	V~50HZ	W	A	KG
CALDOMI	70299	230	1000/2000	8.7	1.85

TECHNICAL DATA PURSUANT TO REGULATION 1188/2015/EU

	REFERENCE PARAMETER	UNIT OF MEASUREMENT	CALDOMI
Storage devices with pilot light	-	-	no
Devices with stand-by mode	-	-	no
Seasonal energy efficiency of space heating	η_s	%	36
THERMAL POWER			
Rated thermal power	P _{nom}	kW	2
Minimum thermal power (indicative)	P _{min}	kW	1
Maximum continuous thermal power	P _{max,c}	kW	2
AUXILIARY ELECTRICITY CONSUMPTION			
Auxiliary electricity consumption at rated thermal power	el _{max}	kW	0.03
Auxiliary electricity consumption at minimum thermal power	el _{min}	kW	0.03
Auxiliary electricity consumption in stand-by mode	el _{SB}	kW	0.03
TYPE OF THERMAL POWER/AMBIENT TEMPERATURE CONTROL (INDICATE ONLY ONE OPTION)			
Single phase without ambient temperature control	-	-	no
Two or more phases without ambient temperature control	-	-	no
With ambient temperature control via mechanical thermostat	-	-	yes
With electronic ambient temperature control	-	-	no
With electronic ambient temperature control and daily timer	-	-	no
With electronic ambient temperature control and weekly timer	-	-	no
OTHER CONTROL OPTIONS (YOU CAN SELECT MULTIPLE OPTIONS)			
Ambient temperature control with presence sensor	-	-	no
Ambient temperature control with open window sensor	-	-	no
Control with remote control option	-	-	no
Adaptable switch-on control	-	-	no
Control with operating time limitation	-	-	no
Control with black globe thermometer	-	-	no



DIMENSIONS



PRODUCTS	A	B	C
CALDOMI	290	375	100

Dimensions in mm

APPLICATIONS





SCALDATUTTO®

Portable fan heaters

Portable electric fan heaters which provide an effective, rapid and aesthetically pleasing solution to heat integration needs on primary systems in domestic and commercial environments.

- Plastic resin self-extinguishing enclosure.
- Heating element can be excluded to allow for use as a fan.
- Design: F. Trabucco & Associates.

Note: These products are not suitable for primary heating. These products are only suitable for properly insulated rooms or for occasional use.

Recessed cable.



TECHNICAL FEATURES

- 1 model
- Self-extinguishing resin (PP) enclosure, resistant to aggressive chemical agents. Seat for housing the power cord built into the bottom.
- Aluminium axial impeller turned by self-aligning and self-lubricating bushings.
- Needle heating element with two pre-selectable power levels (1,000 and 2,000 W), equipped with manually resettable thermal overload limiter.
- Room thermostat to set and maintain the desired temperature, preventing energy waste. The antifreeze function automatically activates the fan heater whenever the temperature drops below 5°C.
- Indicator lights to signal that the device is on.
- Support feet on the bottom of the device for more secure positioning on the floor or on a tabletop.
- Approx. 1.8 m power cord with Shuko plug.
- Safety certified by third party body (CE).
- Protection rating from dust and water: IPX1 (suitable for installation in bathroom Zone 3).
- Class of electric isolation: II (earthing not required).





SCALDATUTTO® RANGE

Portable fan heaters

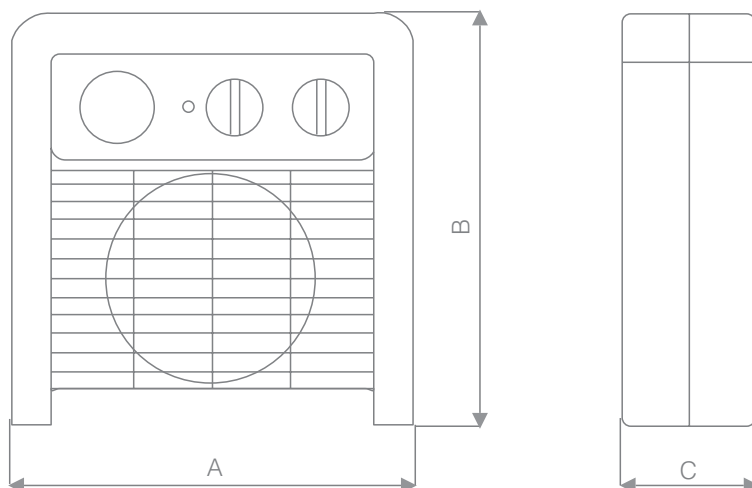
TECHNICAL DATA

PRODUCTS	CODES	V~50HZ	W	A	KG
SCALDATUTTO CLASSIC FH-V0	70140	230	1000/2000	9.0	1.9

TECHNICAL DATA PURSUANT TO REGULATION 1188/2015/EU

	REFERENCE PARAMETER	UNIT OF MEASUREMENT	SCALDATUTTO CLASSIC FH-V0
Storage devices with pilot light	-	-	no
Devices with stand-by mode	-	-	no
Seasonal energy efficiency of space heating	η _s	%	36
THERMAL POWER			
Rated thermal power	P _{nom}	kW	2
Minimum thermal power (indicative)	P _{min}	kW	1
Maximum continuous thermal power	P _{max,c}	kW	2
AUXILIARY ELECTRICITY CONSUMPTION			
Auxiliary electricity consumption at rated thermal power	e _{lmax}	kW	0,015
Auxiliary electricity consumption at minimum thermal power	e _{lmin}	kW	0,015
Auxiliary electricity consumption in stand-by mode	e _{lSB}	kW	0,015
TYPE OF THERMAL POWER/AMBIENT TEMPERATURE CONTROL (INDICATE ONLY ONE OPTION)			
Single phase without ambient temperature control	-	-	no
Two or more phases without ambient temperature control	-	-	no
With ambient temperature control via mechanical thermostat	-	-	yes
With electronic ambient temperature control	-	-	no
With electronic ambient temperature control and daily timer	-	-	no
With electronic ambient temperature control and weekly timer	-	-	no
OTHER CONTROL OPTIONS (YOU CAN SELECT MULTIPLE OPTIONS)			
Ambient temperature control with presence sensor	-	-	no
Ambient temperature control with open window sensor	-	-	no
Control with remote control option	-	-	no
Adaptable switch-on control	-	-	no
Control with operating time limitation	-	-	no
Control with black globe thermometer	-	-	no

DIMENSIONS



PRODUCTS

SCALDATUTTO CLASSIC FH-V0

Dimensions in mm

A

290

B

331

C

120

APPLICATIONS





MICROCOMFORT

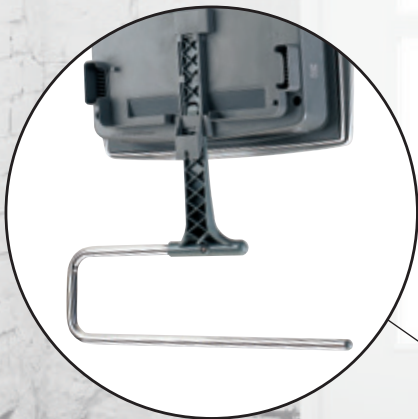
Wall-mounted fan heater with towel heater function

Electric fan heater/towel heater for wall installation. Its small size and pleasing aesthetic make MICROCOMFORT especially suitable for installation in residential bathrooms, where effective, rapid heat integration of the primary system is guaranteed.

- Built-in towel heater.
- Automatic device for reducing heating power to 1,000 W upon installation of the towel heater rail, in compliance with current safety regulations.
- High protection rating from water, compatible with Zone 3 bathroom installation.

Note: For full compliance with European Regulation No. 1188/2015, this product must be subjected to an external control device that regulates heat emission in the room where it is installed.

Supplied with a stainless steel towel warmer rail: with the rail fitted, heat output is automatically limited to 1000 W, in compliance with current safety regulations.



TECHNICAL FEATURES

- 1 model
- Plastic resin enclosure; front covers made of self-extinguishing ABS, grey-painted; rear cover incorporating the extraction grille in self-extinguishing PP. Air outlet grille in PP on the front cover.
- Stainless steel pipe towel warmer rail positioned under the outlet grilles: when the rail is fitted, the power is automatically halved, in compliance with current safety regulations.
- Centrifugal impeller fashioned from glass-fibre reinforced nylon, to ensure sturdiness and heat resistance, directly coupled to the motor with shaft turning on self-lubricating bushings for regular, quiet operation.
- Needle heating elements, protected by a manually resettable thermal overload limiter.
- Rotary switch with 3 positions to control product switch-on and switch-off and to select the desired power level (1,000 W / 2,000 W).
- Room thermostat with antifreeze function, guaranteeing automatic activation of the fan heater whenever ambient temperature drops below 5°C.
- Approx. 2 m power cord complete with Shuko plug.
- Safety certified by third party body (CE).
- Protection rating from dust and water: IPX3 (suitable for installation in bathroom Zone 3).
- Class of electric isolation: II (earthing not required).





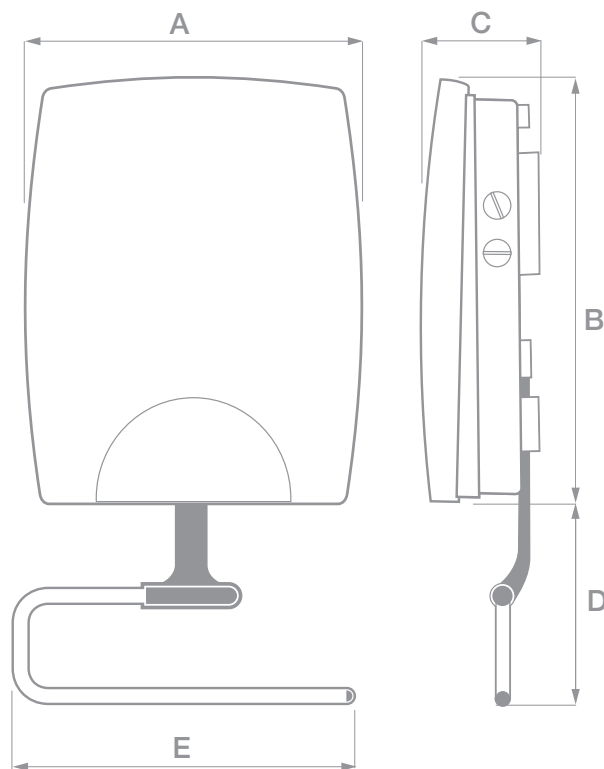
MICROCOMFORT

Wall-mounted fan heater with towel heater function

TECHNICAL DATA

PRODUCTS	CODES	V~50HZ	W	A	KG
MICROCOMFORT	70870	230	1000/2000	8.7	2.45

DIMENSIONS



PRODUCTS	A	B	C	D	E
MICROCOMFORT	385	460	130	200	370

Dimensions in mm



APPLICATIONS





CALDORÈ® RANGE

Portable convector/fan heaters

Portable electric convector/fan heaters designed to effectively and quickly guarantee necessary integration to the primary heating systems installed in the domestic or commercial premises where the unit is to be installed.

- Portable but compatible with wall installation.
- Sturdy and fire resistant steel sheet and self-extinguishing resin enclosure.
- Daily programmer (CALDORÈ RT).
- Design: F. Trabucco - M. Vecchi.

Note: These products are not suitable for primary heating. These products are only suitable for properly insulated rooms or for occasional use.



Retractable power cord.



The RT model is equipped with an adjustable daily programmer with minimum intervals of 15'.



Feet with special non-slip rubber pads.



TECHNICAL FEATURES

- 3 models, in convector heater version (CALDORÈ) and fan heater version (CALDORÈ), also in timer version (CALDORÈ RT).
- Panels and grilles made of steel sheet with scratch-resistant paint finish, colour grey.
- Flanks made of self-extinguishing plastic resin, colour grey.
- Needle heating elements, protected by a manually resettable thermal overload limiter. Heating power can be set on three levels for the best compromise between effectiveness and savings. The heating element can be excluded to allow for use of CALDORÈ R and CALDORÈ RT as simple fans.
- Set of lit switches for on/off control, selection of the heat element power level, turn on the impeller (CALDORÈ R) and activate the timer (CALDORÈ RT).
- Room thermostat with antifreeze function, guaranteeing automatic activation of the fan heater whenever ambient temperature drops below 5 °C.
- Daily programmer to set on and delayed shut-down of the product (CALDORÈ RT).
- Power cable including Italian plug, approx. 1.6 m, can be conveniently recoiled to be retracted at the bottom of the product.
- Stabilizer feet with special non-slip rubber pads.
- Safety certified by third party body (CE).
- Protection rating from dust and water: IPX1 (suitable for installation in bathroom Zone 1).
- Class of electric isolation: II (earthing not required).





CALDORÈ® RANGE

Portable convector/fan heaters

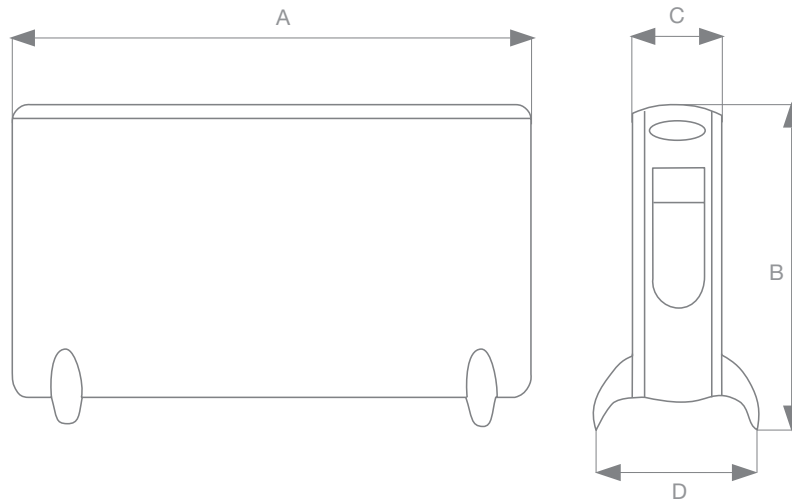
TECHNICAL DATA

PRODUCTS	CODES	V~50HZ	W	A	KG
CALDORÈ	70201	230	800/1200/2000	8.7	3.9
CALDORÈ R	70211	230	800/1200/2000	8.7	5.2
CALDORÈ RT	70221	230	800/1200/2000	8.7	5.3

TECHNICAL DATA PURSUANT TO REGULATION 1188/2015/EU

	REFERENCE PARAMETER	UNIT OF MEASUREMENT	CALDORÈ	CALDORÈ R	CALDORÈ RT
Storage devices with pilot light	-	-	no	no	no
Devices with stand-by mode	-	-	no	no	no
Seasonal energy efficiency of space heating	η _s	%	36.	36.	36
THERMAL POWER					
Rated thermal power	P _{nom}	kW	2	2	2
Minimum thermal power (indicative)	P _{min}	kW	0.8	0.8	0.8
Maximum continuous thermal power	P _{max,c}	kW	2	2	2
AUXILIARY ELECTRICITY CONSUMPTION					
Auxiliary electricity consumption at rated thermal power	e _{lmax}	kW	0	0,018	0,018
Auxiliary electricity consumption at minimum thermal power	e _{lmin}	kW	0	0,018	0,018
Auxiliary electricity consumption in stand-by mode	e _{lSB}	kW	0	0,018	0,018
TYPE OF THERMAL POWER/AMBIENT TEMPERATURE CONTROL (INDICATE ONLY ONE OPTION)					
Single phase without ambient temperature control	-	-	no	no	no
Two or more phases without ambient temperature control	-	-	no	no	no
With ambient temperature control via mechanical thermostat	-	-	yes	yes	yes
With electronic ambient temperature control	-	-	no	no	no
With electronic ambient temperature control and daily timer	-	-	no	no	no
With electronic ambient temperature control and weekly timer	-	-	no	no	no
OTHER CONTROL OPTIONS (YOU CAN SELECT MULTIPLE OPTIONS)					
Ambient temperature control with presence sensor	-	-	no	no	no
Ambient temperature control with open window sensor	-	-	no	no	no
Control with remote control option	-	-	no	no	no
Adaptable switch-on control	-	-	no	no	no
Control with operating time limitation	-	-	no	no	no
Control with black globe thermometer	-	-	no	no	no

DIMENSIONS



PRODUCTS	A	B	C	D
CALDORÈ	580	415	200	100
CALDORÈ R	685	415	200	100
CALDORÈ RT	685	415	200	100

Dimensions in mm

APPLICATIONS





CALDOPRO® RANGE

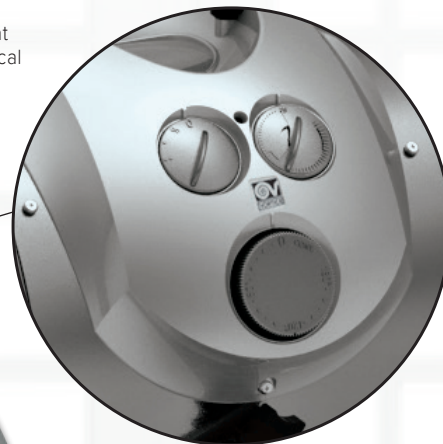
Portable professional fan heaters

Single-phase and three-phase convector heaters specifically designed for professional use in construction sites, warehouses, laboratories and, more generally, wherever high heating powers (up to 5 kW) are required, combined with resistance to impact, water and dirt accumulation.

- Ideal for use in constructions sites.
- Heating element can be excluded to allow for use as a fan.
- High protection rating from dust and water:
- Three-phase power supply available.

Note: These products are not suitable for primary heating. These products are only suitable for properly insulated rooms or for occasional use.

Controls: room thermostat adjustment knob, mechanical timer control knob.



Steel sheet support feet with antivibration mounts.



TECHNICAL FEATURES

- 3 models, different for maximum power and power supply (single-phase and three-phase).
- Grey-painted cylindrical steel sheet structure enclosed at the ends by a pair of grilles protecting the air inlet and outlet.
- Fan unit with 5-blade aluminium moulded axial impeller.
- Tubular heating element protected from contact with dust and water and therefore suitable for use in heavy duty conditions, with automatically resettable thermal overload limiter.
- Control panel located on top of the main cylindrical enclosure, moulded out of self-extinguishing plastic resin (ABS), painted grey and with a built-in handle for easier product transport.
- Mechanical timer (max duration 180 minutes) for delayed product shut-down.
- 4-position rotary switch/selector: to switch on the product, select the power output, and “ventilation” mode operation setting (the heating element is not powered and the product works as a common fan).
- Bulb room thermostat, guaranteeing greater reading accuracy.
- Approx. 1.8 m power cord with safety plug, Shuko for single-phase model, 5-pole industrial (3 poles + N + T) for three-models.
- Bent and painted steel sheet feet with antivibration mounts.
- Safety certified by third party body (CE).
- Protection rating from dust and water: IPX4 (suitable for Zone 1 installation).
- Class of electric isolation: I (earthing required).





CALDPRO® RANGE

Portable professional fan heaters

TECHNICAL DATA

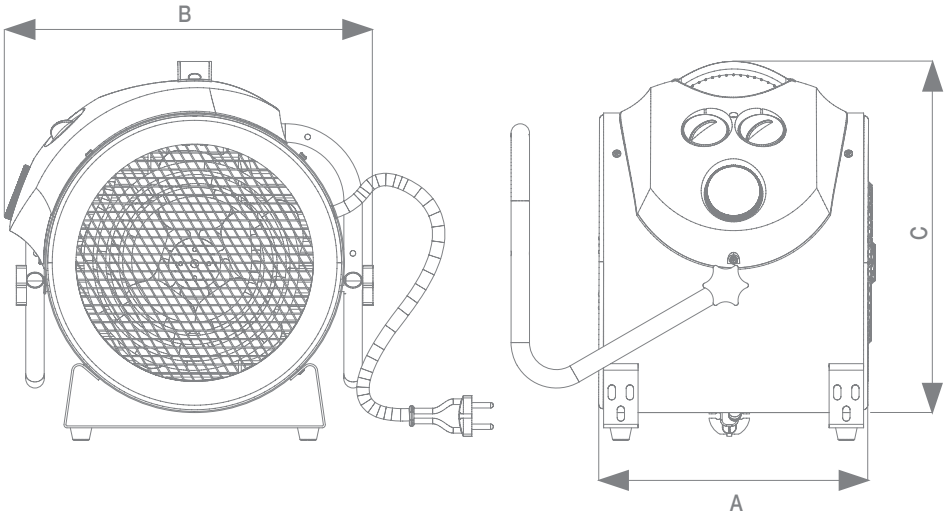
PRODUCTS	CODES	V~50HZ	W	A	KG
CALDOPRO PLUS 3000 M	70805	230	3000	13.0	5.4
CALDOPRO PLUS 3000 T	70806	400	3000	4.3	5.4
CALDOPRO PLUS 5000 T	70807	400	5000	7.2	5.4

TECHNICAL DATA PURSUANT TO REGULATION 1188/2015/EU

	REFERENCE PARAMETER	UNIT OF MEASUREMENT	CALDOPRO PLUS 3000 M	CALDOPRO PLUS 3000 T	CALDOPRO PLUS 5000 T
Storage devices with pilot light	-	-	no	no	no
Devices with stand-by mode	-	-	no	no	no
Seasonal energy efficiency of space heating	η _s	%	36	36	36
THERMAL POWER					
Rated thermal power	P _{nom}	kW	3	3	5
Minimum thermal power (indicative)	P _{min}	kW	3	3	5
Maximum continuous thermal power	P _{max,c}	kW	3	3	5
AUXILIARY ELECTRICITY CONSUMPTION					
Auxiliary electricity consumption at rated thermal power	el _{max}	kW	0.03	0.03	0.03
Auxiliary electricity consumption at minimum thermal power	el _{min}	kW	0.03	0.03	0.03
Auxiliary electricity consumption in stand-by mode	el _{SB}	kW	0.03	0.03	0.03
TYPE OF THERMAL POWER/AMBIENT TEMPERATURE CONTROL (INDICATE ONLY ONE OPTION)					
Single phase without ambient temperature control	-	-	no	no	no
Two or more phases without ambient temperature control	-	-	no	no	no
With ambient temperature control via mechanical thermostat	-	-	yes	yes	yes
With electronic ambient temperature control	-	-	no	no	no
With electronic ambient temperature control and daily timer	-	-	no	no	no
With electronic ambient temperature control and weekly timer	-	-	no	no	no
OTHER CONTROL OPTIONS (YOU CAN SELECT MULTIPLE OPTIONS)					
Ambient temperature control with presence sensor	-	-	no	no	no
Ambient temperature control with open window sensor	-	-	no	no	no
Control with remote control option	-	-	no	no	no
Adaptable switch-on control	-	-	no	no	no
Control with operating time limitation	-	-	no	no	no
Control with black globe thermometer	-	-	no	no	no



DIMENSIONS



PRODUCTS	A	B	C
CALDOPRO PLUS 3000 M	250	300.5	340
CALDOPRO PLUS 3000 T	250	300.5	340
CALDOPRO PLUS 5000 T	250	330.0	340

Dimensions in mm

APPLICATIONS





MICRORAPID® RANGE

Compact wall-mounted fan heaters

Fan heaters for wall installation, designed to effectively and safely (even in the presence of risks of direct contact with water) guarantee the necessary heat intake in domestic or commercial premises, even where there is no primary heating system.

- Very low noise emissions, thanks to the tangential fans used. Their automatic shut-down in use at minimum power, which involves substantially zeroing sound emissions, makes them perfect for use at night.
- High protection rating from water, compatible with Zone 1 bathroom installation.
- Flexible installation, thanks to their reduced thickness.
- Design: F. Trabucco & Associates.

Note: For full compliance with European Regulation No. 1188/2015, this product must be subjected to an external control device that regulates heat emission in the room where it is installed.

Lit controls for digital daily/weekly programming (timer model), protected by a liftable door.



TECHNICAL FEATURES

- 8 models, different in size and heat output, also in versions with daily and weekly programmer.
- Scratch-resistant painted steel enclosure, colour grey.
- Flanks and housing controls made of self-extinguishing plastic resin, colour grey.
- Tangential fan unit to keep sound emissions down.
- Metal-clad heating element with aluminium fins, protected by a manually resettable thermal overload limiter.
- Lit switches for on/off control and selection of power output and timer mode operating setting (MICRORAPID V0 T).
- Room thermostat with antifreeze function, guaranteeing automatic activation of the fan heater whenever ambient temperature drops below 5 °C.
- Daily and weekly electronic programmer complete with LCD display to set on and delayed shut-down of the product (MICRORAPID V0 T). Can also control MICRORAPID range devices through an external programmable thermostat, pre-existing and/or available separately from the product.
- Safety certified by third party body (CE).
- Protection rating from dust and water: IPX4 (suitable for installation in bathroom Zone 1).
- Class of electric isolation: I (earthing required).





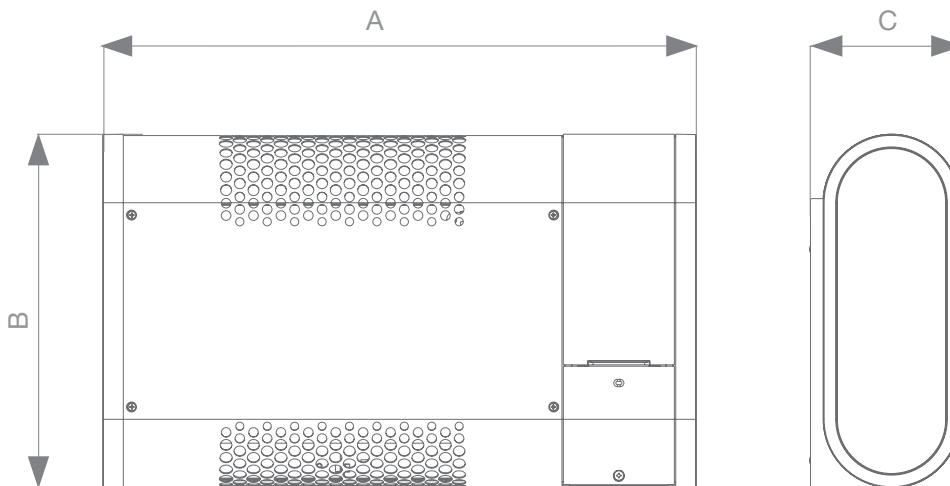
MICRORAPID® RANGE

Compact wall-mounted fan heaters

TECHNICAL DATA

PRODUCTS	CODES		V~50HZ	W	A	KG
	BASIC	TIMER				
MICRORAPID 600 V0	70602	70653	230	300/600	2.6	3.0
MICRORAPID 1000 V0	70612	70661	230	500/1000	4.3	3.7
MICRORAPID 1500 V0	70622	70663	230	500/1000/1500	6.5	3.8
MICRORAPID 2000 V0	70632	70681	230	800/1200/2000	8.7	4.2

DIMENSIONS



PRODUCTS	A	B	C
MICRORAPID 600 V0	433	258	109
MICRORAPID 1000 V0	503	258	109
MICRORAPID 1500 V0	573	258	109
MICRORAPID 2000 V0	633	258	109

Dimensions in mm



APPLICATIONS





MICROSOL® RANGE

Compact wall-mounted convector heaters

Convector heaters for wall installation, designed to effectively and safely (even in the presence of risks of direct contact with water) guarantee the necessary heat intake in domestic or commercial premises, even where there is no primary heating system.

- High protection rating from water, compatible with Zone 1 bathroom installation.
- Flexible installation, thanks to their reduced thickness.
- Extreme silence as there are no moving parts.
- Design: F. Trabucco & Associates. 1st Prize Livin Luce Top selection 2007.

Note: For full compliance with European Regulation No. 1188/2015, this product must be subjected to an external control device that regulates heat emission in the room where it is installed.

Lit switches protected
by a door.



TECHNICAL FEATURES

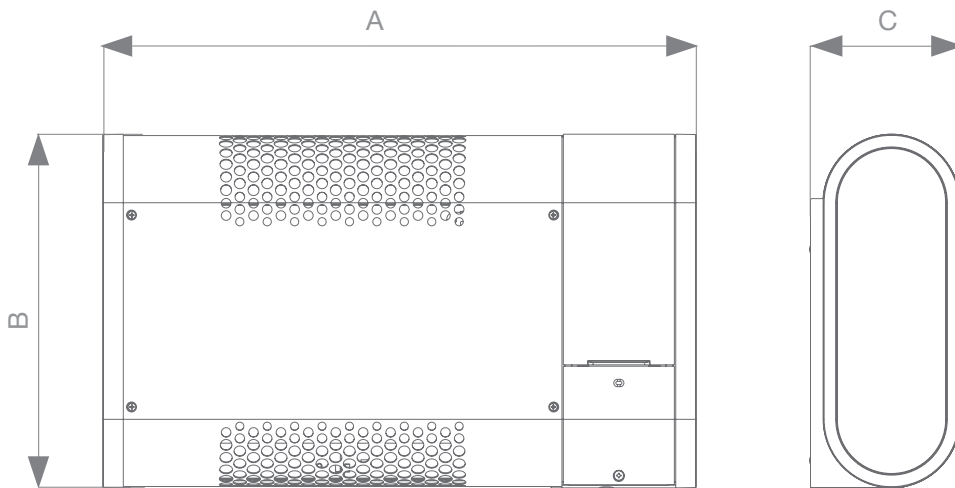
- 4 models, different due to dimensions and heat output.
- Scratch-resistant painted steel enclosure, colour grey.
- Flanks and housing controls made of self-extinguishing plastic resin, colour grey.
- Metal-clad heating element with aluminium fins, protected by a manually resettable thermal overload limiter.
- Lit switches for on/off control and selection of power output.
- Room thermostat with antifreeze function, guaranteeing automatic activation of the fan heater whenever ambient temperature drops below 5°C.
- Safety certified by third party body (CE).
- Protection rating from dust and water: IPX4 (suitable for installation in bathroom Zone 1).
- Class of electric isolation: I (earthing required).



TECHNICAL DATA

PRODUCTS	CODES	V~50HZ	W	A	KG
MICROSOL 600 V0	70562	230	300/600	2.6	2.9
MICROSOL 1000 V0	70572	230	500/1000	4.3	3.2
MICROSOL 1500 V0	70582	230	500/1000/1500	6.5	3.9
MICROSOL 2000 V0	70592	230	800/1200/2000	8.7	4.6

DIMENSIONS



PRODUCTS	A	B	C
MICROSOL 600 V0	463	258	109
MICROSOL 1000 V0	573	258	109
MICROSOL 1500 V0	723	258	109
MICROSOL 2000 V0	863	258	109

Dimensions in mm



APPLICATIONS





THERMOLOGIKA® RANGE

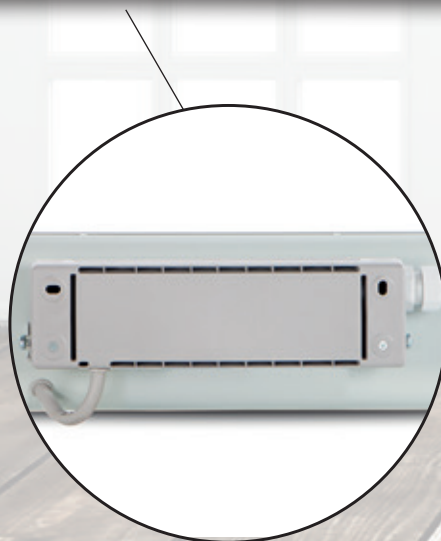
Infrared wall heater

Infrared (IR) lamp heater for horizontal wall installation. The heat produced by THERMOLOGIKA is transmitted by radiation (the same physical principle of solar rays) to the bodies hit, minimising the effect of external atmospheric factors and creating the ideal solution for localised heating, even in the absence of adequate thermal insulation or in areas open towards the outside.

- High protection rating from water IPX4, compatible with Zone 1 bathroom installation and in the presence of high relative humidity.
- The angle of inclination of the installed product can be changed to optimise the orientation of the irradiated flow.
- Small size, perfectly compatible with installation even in confined spaces.

Note: This product is not suitable for primary heating.

Small size, perfectly compatible with installation even in confined spaces.



The angle of inclination of the installed product can be changed to optimise the orientation of the irradiated flow.

TECHNICAL FEATURES

- 1 model.
- Steel sheet enclosure; the front cover, which integrates the grille function, is painted silver and the rear cover is painted grey.
- Grey plastic resin (polyamide) flanks.
- 3 quartz IR lamp heater, rated 600 W, controllable separately to adapt the irradiated power to the actual current needs.
- Pull switch for on/off control and selection of irradiated power output. The power selected is displayed in the window located on the left side of the front cover.
- Box housing the mains connection terminals moulded in heat resistant plastic resin, secured to the installation wall and connected to the product by means of a mechanism that allows it to be adjusted in the direction of the area to be heated.
- Can be wired to a remote switch to facilitate installation in unmanned areas.
- Safety certified by third party body (CE).
- Protection rating from dust and water: IPX4 (suitable for installation in bathroom Zone 1).
- Class of electric isolation: I (earthing required).





THERMOLOGIKA® RANGE

Infrared wall heater

TECHNICAL DATA

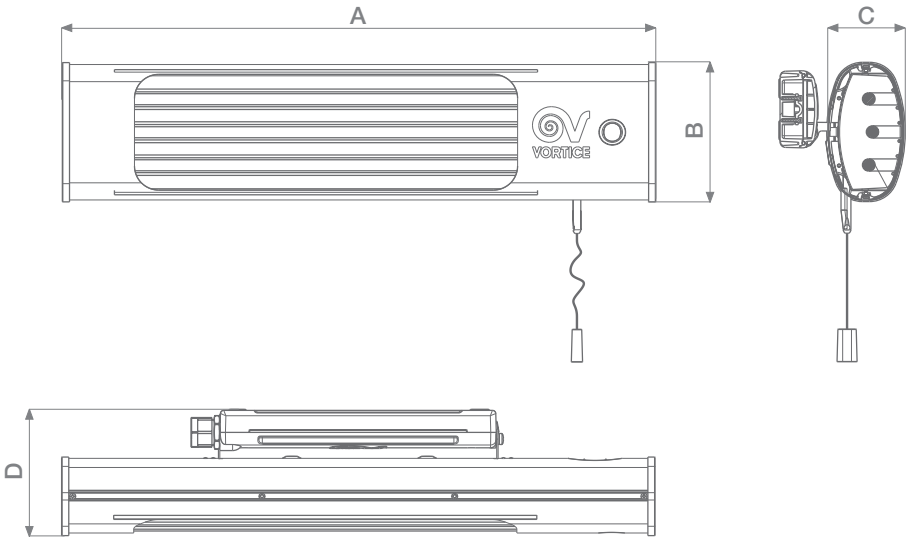
PRODUCTS	CODES	V~50/60HZ	W	A	KG
THERMOLOGIKA	70015	230	600/1200/1800	7.8	1.5

TECHNICAL DATA PURSUANT TO REGULATION 1188/2015/EU

	REFERENCE PARAMETER	UNIT OF MEASUREMENT	THERMOLOGIKA
Storage devices with pilot light	-	-	no
Devices with stand-by mode	-	-	no
Seasonal energy efficiency of space heating	η_{s}	%	35
THERMAL POWER			
Rated thermal power	P _{nom}	kW	1.8
Minimum thermal power (indicative)	P _{min}	kW	0.6
Maximum continuous thermal power	P _{max,c}	kW	1.8
AUXILIARY ELECTRICITY CONSUMPTION			
Auxiliary electricity consumption at rated thermal power	el _{max}	kW	0
Auxiliary electricity consumption at minimum thermal power	el _{min}	kW	0
Auxiliary electricity consumption in stand-by mode	el _{SB}	kW	0
TYPE OF THERMAL POWER/AMBIENT TEMPERATURE CONTROL (INDICATE ONLY ONE OPTION)			
Single phase without ambient temperature control	-	-	no
Two or more phases without ambient temperature control	-	-	yes
With ambient temperature control via mechanical thermostat	-	-	no
With electronic ambient temperature control	-	-	no
With electronic ambient temperature control and daily timer	-	-	no
With electronic ambient temperature control and weekly timer	-	-	no
OTHER CONTROL OPTIONS (YOU CAN SELECT MULTIPLE OPTIONS)			
Ambient temperature control with presence sensor	-	-	yes
Ambient temperature control with open window sensor	-	-	no
Control with remote control option	-	-	yes
Adaptable switch-on control	-	-	no
Control with operating time limitation	-	-	no
Control with black globe thermometer	-	-	no



DIMENSIONS



PRODUCTS	A	B	C	D
THERMOLOGIKA DESIGN	540	127	72	118

Dimensions in mm

CONTROLS

MODELS	DESCRIPTION	CODE	PRODUCTS
	HOMEMATIC IP SMART PLUG	21379	for all codes
	HOMEMATIC IP ACCESS POINT	21380	for all codes

APPLICATIONS





THERMOLOGIKA® DESIGN RANGE

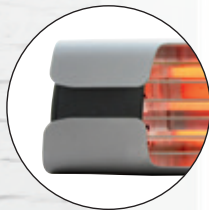
Infrared wall heater

Elegant, distinctive design infrared (IR) lamp heater for horizontal wall installation. The heat produced by THERMOLOGIKA DESIGN is transmitted by radiation (the same physical principle of solar rays) to the bodies hit, minimising the effect of external atmospheric factors and creating the ideal solution for localised heating, even in the absence of adequate thermal insulation or in areas open towards the outside.

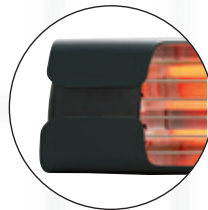
- Pleasing, modern design, enriched by the numerous colour alternatives available.
- High protection rating from water, compatible with Zone 1 bathroom installation and in the presence of high relative humidity.
- Small size, perfectly compatible with installation even in confined spaces.
- Design: Volpi Design.

Note: These products are not suitable for primary heating.

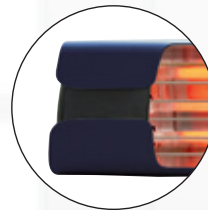
Pleasing, modern design, enriched by the numerous colour alternatives available.



Grey



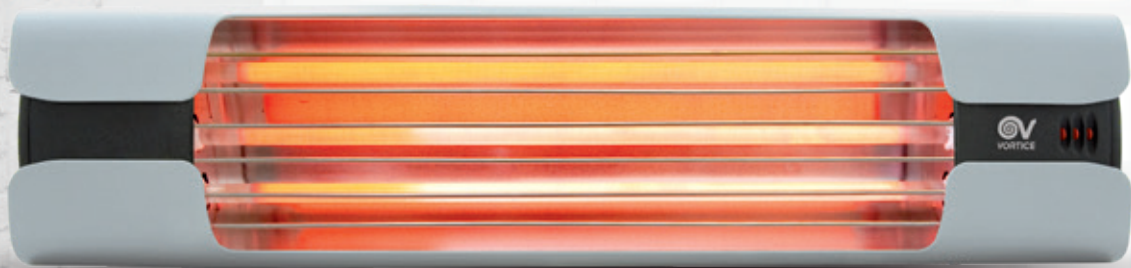
Anthracite grey



Design Blue



Design White



Thermologika Design Plus: highly effective halogen bulb heating, suitable for use in open and unsheltered areas.



TECHNICAL FEATURES

- 5 models, different colour options, power outputs and types of lamps.
- Painted steel casing.
- Flanks in black painted die cast aluminium.
- Grille fashioned with stainless steel rods.
- 3 quartz IR lamp heater (for all codes except 70008), rated 600 W, controllable separately to adapt the irradiated power to the actual current needs.
- THERMOLOGIKA DESIGN PLUS has a low luminous intensity halogen lamp ("Ultra Low Glare") to not disturb occupants in the area facing the installation point. With adjustable power, depending on need, up to a maximum of 1,500 W, characterised by a particularly high thermal output and high start-up speed (beyond the 90% of the maximum radiated power peak is reached in less than 1 second) and long durability.
- Pull switch (for all codes except 70008) for on/off control and selection of irradiated power output. The power selected is displayed near the left side of the front cover. Bipolar pull switch (THERMOLOGIKA DESIGN PLUS) for product switch-on and switch-off; alternatively, the lamp can be connected to a remote switch.
- Terminal board for electrical connection housed at the bottom of the left flank.
- Painted steel sheet bracket for wall installation, designed to allow you to vary the inclination of the product, so as to aim radiation towards the point to be heated.
- Protection rating from dust and water: IPX4 (suitable for installation in bathroom Zone 1).
- Class of electric isolation: I (earthing required).





THERMOLOGIKA® DESIGN RANGE

Infrared wall heater

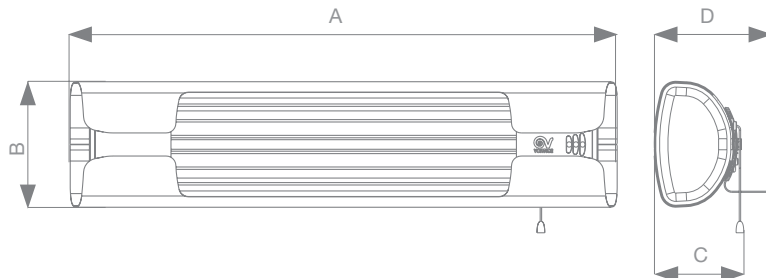
TECHNICAL DATA

PRODUCTS	CODES	V~50/60 HZ	W	A	KG
THERMOLOGIKA DESIGN	70003	230	600/1200/1800	7.8	2.4
THERMOLOGIKA DESIGN GREY	70004	230	600/1200/1800	7.8	2.4
THERMOLOGIKA DESIGN ANTHRACITE GREY	70005	230	600/1200/1800	7.8	2.4
THERMOLOGIKA DESIGN BLUE	70006	230	600/1200/1800	7.8	2.4
THERMOLOGIKA DESIGN WHITE	70007	230	600/1200/1800	7.8	2.4

TECHNICAL DATA PURSUANT TO REGULATION 1188/2015/EU

	REFERENCE PARAMETER	UNIT OF MEASUREMENT	THERMOLOGIKA DESIGN	THERMOLOGIKA DESIGN PLUS
Storage devices with pilot light	-	-	no	no
Devices with stand-by mode	-	-	no	no
Seasonal energy efficiency of space heating	η_{s}	%	35	35
THERMAL POWER				
Rated thermal power	P _{nom}	kW	1.8	1.8
Minimum thermal power (indicative)	P _{min}	kW	0.6	0.6
Maximum continuous thermal power	P _{max,c}	kW	1.8	1.8
AUXILIARY ELECTRICITY CONSUMPTION				
Auxiliary electricity consumption at rated thermal power	e _{lmax}	kW	0	0
Auxiliary electricity consumption at minimum thermal power	e _{lmin}	kW	0	0
Auxiliary electricity consumption in stand-by mode	e _{lSB}	kW	0	0
TYPE OF THERMAL POWER/AMBIENT TEMPERATURE CONTROL (INDICATE ONLY ONE OPTION)				
Single phase without ambient temperature control	-	-	no	no
Two or more phases without ambient temperature control	-	-	yes	no
With ambient temperature control via mechanical thermostat	-	-	no	no
With electronic ambient temperature control	-	-	no	yes
With electronic ambient temperature control and daily timer	-	-	no	no
With electronic ambient temperature control and weekly timer	-	-	no	no
OTHER CONTROL OPTIONS (YOU CAN SELECT MULTIPLE OPTIONS)				
Ambient temperature control with presence sensor	-	-	yes	yes
Ambient temperature control with open window sensor	-	-	no	no
Control with remote control option	-	-	yes	yes
Adaptable switch-on control	-	-	no	no
Control with operating time limitation	-	-	no	no
Control with black globe thermometer	-	-	no	no

DIMENSIONS




PRODUCTS	A	B	C	D
THERMOLOGIKA DESIGN	570	132	84	124

Dimensions in mm

ACCESSORIES UPON REQUEST

MODELS	DESCRIPTION	CODE	PRODUCTS
	BRACKET KIT THERMOLOGIKA DESIGN	22496	for all codes
	QUARTZ TUBE	22985	for all codes (except code 70008)

CONTROLS

MODELS	DESCRIPTION	CODE	PRODUCTS
	<p>POWER REGULATOR - it allows on/off and regulation of the delivered power output, varying the power in a range from 30 to 100% of the nominal value. It is possible to adjust up to 2 lamps simultaneously.</p> <p>Power supply: 230V~50Hz Max absorption: 3000 W Operating temperature: 0°C - 40°C Protection: IP20 Insulation: Class I</p>	22974	70008
	HOMEMATIC IP SMART PLUG	21379	for all codes
	HOMEMATIC IP ACCESS POINT	21380	for all codes

APPLICATIONS





THERMOLOGIKA® SOLEIL SYSTEM RANGE

Wall-mounted infrared heater for indoor and outdoor use

NEWS

Infrared (IR) lamp heater for horizontal wall and ceiling installation, equipped with a halogen bulb. Designed for instant heating. Can be installed outdoors, even in the presence of adverse weather conditions, thanks to its high degree of protection against water (IP65).

- Highly effective halogen bulb heating, suitable for use in open and unsheltered areas. Especially high protection against water (IP65).
- Highly flexible installation: the device can also be installed outdoors in uncovered areas, horizontally on the wall or on the ceiling or vertically on the wall. A wide range of accessories also makes installation possible on a mobile device (PALOLOGIKO). What's more, specific kits allow for the installation of 2 THERMOLOGIKA SOLEIL SYSTEMS in a side-by-side or overlapping position, maintaining a single point of supply.
- The angle of inclination of the installed product can be changed to optimise the orientation of the irradiated flow.

Note: This product is not suitable for primary heating.

Steel sheet bracket. The 5 grooves on the back of the product allow for variation of the angle of inclination of the installed product to optimise the orientation of the irradiated flow.



[1]



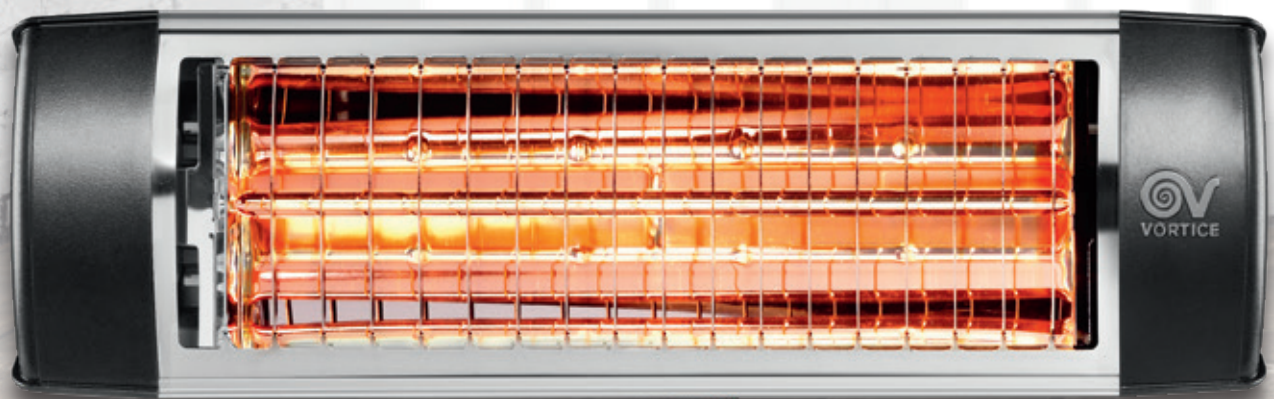
Lamp system parallel fixing kit.

[2]



2 lamp system series fixing kit

Specific kits allow for the installation of 2 THERMOLOGIKA SOLEIL SYSTEMS in a side-by-side or overlapping position, maintaining a single point of supply.



TECHNICAL FEATURES

- 1 model.
- The anodised extruded aluminium enclosure combines a fine aesthetic with the necessary mechanical strength, also giving the product high installation flexibility, integrating 5 horizontal grooves used to aim the device in the most appropriate manner depending on the type of installation.
- Electro-polished stainless steel sheet grille.
- Die-cast aluminium internal side walls supporting the IR lamp, specially studied to ensure water resistance (IP65 degree) thanks to the cable glands and gaskets designed to withstand high temperatures.
- Painted die cast aluminium flanks with silicone polyester paint for high mechanical and thermal resistance.
- AISI 304 electro-polished stainless steel grille (treatment which prevents the formation of classic colour variations due to high operating temperatures), protects the lamp from impact and prevents contact that could cause damage to people or property. The grille also performs the function of correctly aiming radiation, reducing unwanted dispersions.
- IR lamp heater with adjustable power, depending on need, up to a maximum of 1,500 W, characterised by a particularly high thermal output and high start-up speed (beyond the 90% of the maximum radiated power peak is reached in less than 1 second) and long durability (5,000 h).
- Reflective surface in mirror polished aluminium: its carefully studied monofocal profile ensures a high level and uniform concentration of heat radiation, guaranteeing a correct and uniform area of comfort.
- Bent steel sheet bracket for wall/ceiling mounting, desired to ensure secure product anchoring to its final surface, also allowing for correct inclination.
- Pre-set for connection to an external dimmer equipped with IR remote control (supplied as an option), for adjusting the end of the radiated power according to actual current needs.
- Terminal board for electrical connection housed in the left flank.
- Heating power adjustable by means of the dimmer according to actual current needs.
- Protection rating from dust and water: IP65.
- Class of electric isolation: I (earthing required).





THERMOLOGIKA® SOLEIL SYSTEM RANGE

Wall-mounted infrared heater for indoor and outdoor use

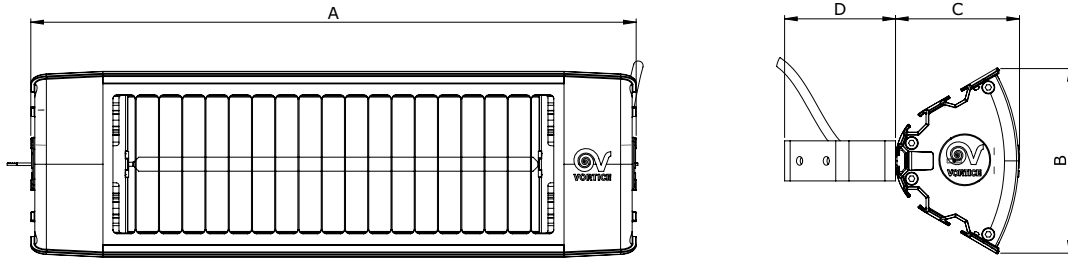
TECHNICAL DATA

PRODUCTS	CODES	V~50/60HZ	W	A	KG
THERMOLOGIKA SOLEIL SYSTEM	70070	220-240	1500	6.3	2.3

TECHNICAL DATA PURSUANT TO REGULATION 1188/2015/EU

	REFERENCE PARAMETER	UNIT OF MEASUREMENT	THERMOLOGIKA SOLEIL SYSTEM
Storage devices with pilot light	-	-	no
Devices with stand-by mode	-	-	no
Seasonal energy efficiency of space heating	η_s	%	35
THERMAL POWER			
Rated thermal power	P _{nom}	kW	1.5
Minimum thermal power (indicative)	P _{min}	kW	1.5
Maximum continuous thermal power	P _{max,c}	kW	1.5
AUXILIARY ELECTRICITY CONSUMPTION			
Auxiliary electricity consumption at rated thermal power	e _{lmax}	kW	0
Auxiliary electricity consumption at minimum thermal power	e _{lmin}	kW	0
Auxiliary electricity consumption in stand-by mode	e _{lSB}	kW	0
TYPE OF THERMAL POWER/AMBIENT TEMPERATURE CONTROL (INDICATE ONLY ONE OPTION)			
Single phase without ambient temperature control	-	-	no
Two or more phases without ambient temperature control	-	-	no
With ambient temperature control via mechanical thermostat	-	-	no
With electronic ambient temperature control	-	-	yes
With electronic ambient temperature control and daily timer	-	-	no
With electronic ambient temperature control and weekly timer	-	-	no
OTHER CONTROL OPTIONS (YOU CAN SELECT MULTIPLE OPTIONS)			
Ambient temperature control with presence sensor	-	-	yes
Ambient temperature control with open window sensor	-	-	no
Control with remote control option	-	-	yes
Adaptable switch-on control	-	-	no
Control with operating time limitation	-	-	no
Control with black globe thermometer	-	-	no

DIMENSIONS



PRODUCTS	A	B	C	D
THERMOLOGIKA SOLEIL SYSTEM	453	138	93	83

Dimensions in mm

ACCESSORIES UPON REQUEST

MODELS	DESCRIPTION	CODE
	KIT PRL SYSTEM - Allows the overlapping installation of 2 THERMOLOGIKA SOLEIL SYSTEMS. The Kit includes: 1 wall bracket, which replaces the wall mounting brackets provided as standard for each device and 1 junction box for simultaneous powering of the two devices through a single connection to the mains.	21461
	KIT SR SYSTEM - Allows the side-by-side installation of 2 THERMOLOGIKA SOLEIL SYSTEMS. The Kit includes: 1 wall bracket, which replaces the wall mounting brackets provided as standard for each device and 1 junction box for simultaneous powering of the two devices through a single connection to the mains.	21460
	PALOLOGIKO SYSTEM - Standing base compatible with coupling to 1, 2 or 3 THERMOLOGIKA SOLEIL SYSTEMS. Increases the usability of the devices, without them requiring fixed installation. All connected units can be powered from the bottom or from the top of the device through a single access to the electrical mains. The grooves made in the profile of the support pole house the power cables, at the same time improving the aesthetics and installation safety. The coupling mechanism allows adjustment of the angle of inclination on each coupled appliance for a more rewarding experience of use.	21433

A	B	ØC	D	ØE	F°	G
2535	650	245	2203 - 2107	448 - 982	0° - 90°	2657

Quote in mm



CALDOFÀ® RANGE

Wall-mounted infrared heater for indoor and outdoor use

Heat recovery unit for fireplaces, specifically designed to reduce firewood consumption by maximising the effectiveness of combustion. CALDOFÀ draws in cold air from the room, which is then heated by burning firewood, and sends the heated air back into the room.

- High efficiency: CALDOFÀ optimises the heating power of burning firewood.
- Highly effective heating, equal to that of a traditional fan heater.
- Cost effective use: CALDOFÀ absorbs only 20 electric W and promotes reduced consumption of firewood.
- Easy installation: adjustable feet and telescopic tubes facilitate installation in all kinds of fireplaces.
- Safe use: the spark arrestor supplied protects from bursts of flames.
- Concept: A.P. Design: A.P. - A. Dematteis.

Caldofà draws in cold air, heats it and sends it back into circulation.



Decorative faun heads and spark arrestor.

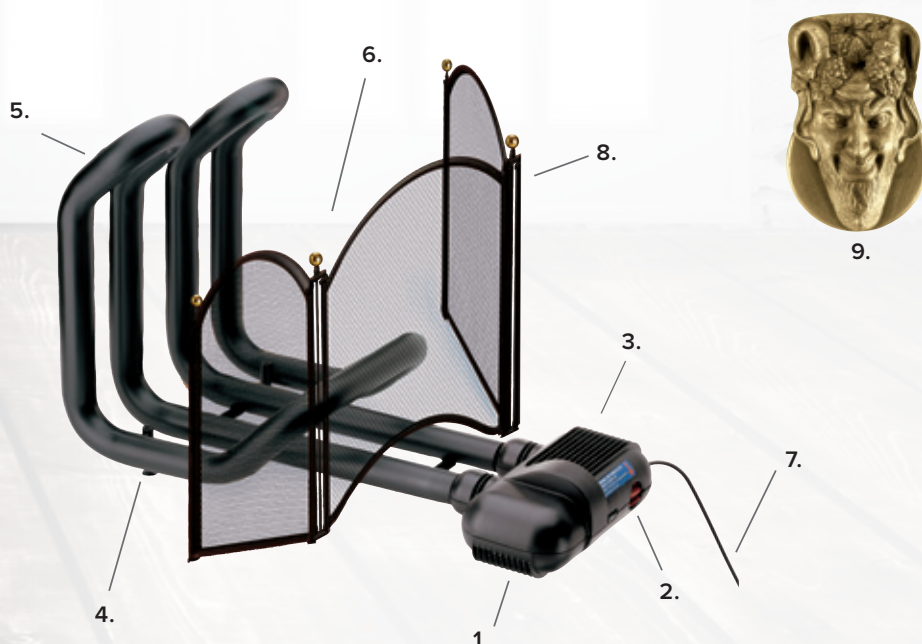


TECHNICAL FEATURES

- 1 model.
- CALDOFÀ is very simple and easy to operate. Simply place it in the centre of the fireplace and light the fire. CALDOFÀ draws in cold air from the room, which is then heated (optimising the heat produced by the burning firewood), and sends the heated air back into the room. A few minutes after the fireplace is lit, CALDOFÀ produces the "heating effect" of a fan heater at a lower cost (about € 0.074 of electricity per hour of operation), providing significant savings in heating costs.
- Approx. 2.5 m power cord complete with Italian plug.
- Protection rating from dust and water: IP21.
- Class of electric isolation: II (earthing not required).

MAIN COMPONENTS

- 1 - Cold air inlet.
- 2 - Heated air outlet with 360° deflector to direct the flow as desired.
- 3 - Ventilating unit with die cast aluminium enclosure, removable to minimise the space taken up when not being used, composed of:
 - fan unit, composed of a centrifugal fan directly coupled to a 2-speed motor (for the best balance between performance), with shaft on ball bearings to guarantee long lasting continuous service (at least 30,000 h).
 - Room air intake grilles.
 - Diffuser with directional fins to better send hot air in the desired direction.
 - Switch/selector to turn the device on/off and set the fan speed.
- 4 - Adjustable feet, together with telescopic tubes, for CALDOFÀ installation on any type of fireplace.
- 5 - Telescopic tube bundle in black painted steel, shaped to optimise device performance and reduce firewood consumption, preventing excessive storage.
- 6 - Raised front tube to hold firewood and prevent excessive storage (compatible with the alary blades).
- 7 - 2.5 m power cord.
- 8 - Spark arrestor to prevent bursts of flames and protect furniture from the risk of fire.
- 9 - Decorative faun head caps to be applied to the inlet and outlet sections of the tube bundle when the device is not in use.





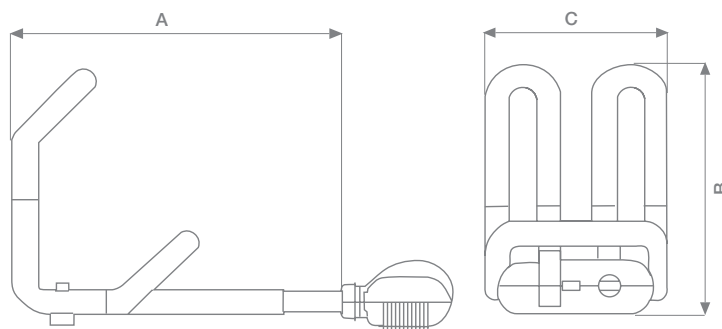
CALDOFÀ® RANGE

Wall-mounted infrared heater for indoor and outdoor use

TECHNICAL DATA

PRODUCTS	CODES	V~50HZ	W	A	FLOW RATE m ³ /h		Lw dB(A)		KG
					min	max	min	max	
CALDOFÀ	70710	220-240	20	0.18	32	48	47	54	18.0

DIMENSIONS





PRODUCTS	A	B	C
CALDOFÀ	348	450	500-830

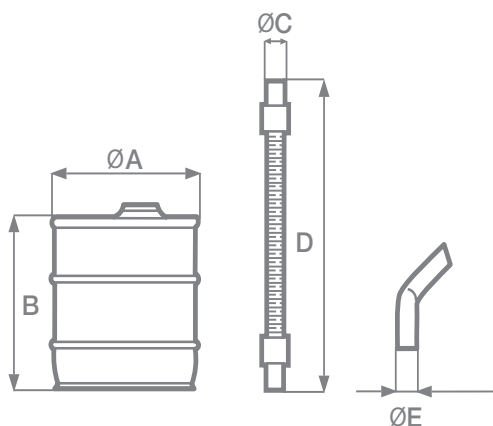
Heights in mm

APPLICATIONS



ACCESSORIES UPON REQUEST

MODELS	DESCRIPTION	CODE
	TELESCOPIC TUBES extended (750 mm) to adapt to particularly deep fireplaces.	22993
	<p>CENERELLO®. The "Ash eater", designed to collect debris and cold ash residues from the combustion of fireplaces, stoves and barbecues. When connected to a vacuum cleaner, CENERELLO prevents clogging and preserves its durability.</p> <p>Advantages</p> <ul style="list-style-type: none"> • Flexible use: CENERELLO is compatible with the most common electric vacuum cleaners (vacuum from 1,000 to 3,000 mmH₂O) equipped with filters and collection bag. • Effective: the special metal filter retains combustion residue that can damage the vacuum cleaner. • Cost effective: no collection bags, reducing the costs associated with cleaning combustion residue. • Easy maintenance: the practical cover opening lever simplifies and speeds up periodic emptying. • Safety: the "anti-implosion" valve prevents the body from curling up in the event of a blockage in the suction inlet. • Sturdy, thanks to the steel construction of the body and the suction inlet. • Concept: A.P. - Design: A.P. - A. Dematteis. 	22994



PRODUCTS	ØA	B	ØC	D	ØE	KG
CENERELLO	330	300	1200	45	38	3.0

Dimensions in mm



MAIN COMPONENTS

- 1 - Suction inlet made of thick sheet steel, to easily, practically and safely collect ash and combustion debris.
- 2 - Handle built into the body for easier handling.
- 3 - Flexible hose, designed to guarantee durability, affixed to the cover and connects to the suction inlet.
- 4 - Cover with lever closure to make emptying and cleaning of the special filter extremely easy.
- 5 - Connection inlet to the vacuum cleaner hose, complete with anti-implosion valve for product protection.
- 6 - Galvanised steel micro-stretched mesh: holes with diameter 750 um hold ash and combustion debris, preventing the risks associated with clogging of the filters and vacuum cleaner bag and consequent damage to the motor.
- 7 - Large capacity storage tank in tinned and painted steel, guaranteeing durability.

Vortice Elettrosociali S.p.A
Strada Cerca, 2
Frazione di Zoate
20067 Tribiano (Milan)
Tel. (+39) 02 906991
Fax (+39) 02 90699625
Italy
www.vortice.com

Vortice Limited
Beeches House-Eastern
Avenue Burton on Trent
DE13 0BB
Tel. (+44) 1283-49.29.49
Fax (+44) 1283-54.41.21
United Kingdom
www.vortice.ltd.uk

Vortice Ventilation System
(Changzhou) Co.LTD
No. 388 West Huanghe Road
Building 19, Changzhou
Post Code: 213000
China
Tel. (+86) 0519 88990150
Fax (+86) 0519 88990151
www.vortice-china.com

Vortice Latam S.A.
3er Piso, Oficina 9-B
Edificio Meridiano
Guachipelin, Escazú
San José, Costa Rica
PO Box 10-1251
Tel. (+506) 2201.6219
Fax (+506) 2201.6239
www.vortice-latam.com

