



VORTICE

vortice.com



SUMMER VENTILATION



NORDIK HVLS SUPER BLADE RANGE

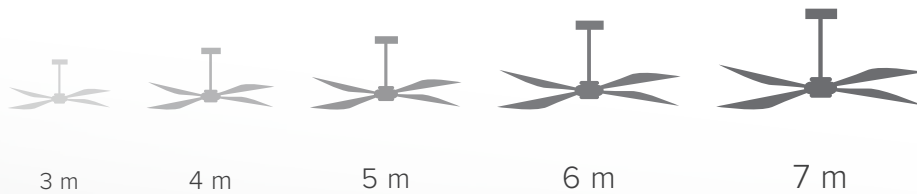


NORDIK HVLS SUPER BLADE RANGE

Industrial ceiling fans

A new range of HVLS (High Volume Low Speed) ceiling fans, equipped with EC motors, granting very high performance, low consumption and low noise emissions. Ideal for cooling and temperature balance for large areas.

LARGE diameters for large spaces, nominals 5 Ø:



1.



1. AERODYNAMIC BLADES:

Made of extruded aluminium aerodynamically optimized (**airfoil section**) and fashioned with **winglets** designed to reduce the drag.

2. VORT T CONTROL UNIT:

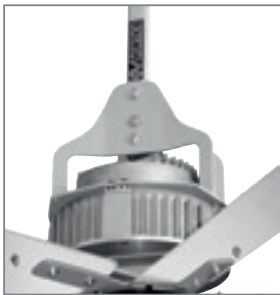
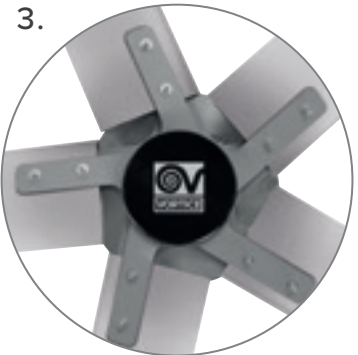
Provides automatic control of **up to 10 fans**, according to temperature and wind strength.

2.



3.PERFORMANCES:

Ultra high airflows (**650000 m³/h**) at very low speed to grant quiet operations



4.EC MOTORS:

Three phase (**EC brushless motors**), integrated overheating protection; very high protection (**IP65**) against dust and water.

Design and production
Made in Italy.



5.INSTALLATION:

Bracket and rod supplied with the product.

6.CONTROLS:

Fully adjustable (**0-10V signal**) motor through potentiometer or VORT-T control unit. RS 485 port integrated in the motor driver for remote control through BMS System (**RTU Modbus protocol**).



NORDIK HVLS SUPER BLADE RANGE

Industrial ceiling fans

APPLICATIONS

Nordik HVLS Super Balde at their **most effective** grant highly effective operation even when installed in **tall ambients**. Width of the ventilated area corresponds to approximately **3 times** the **nominal diameter** of the fan. Especially suitable for installation in the following areas:

industrial sheds, large warehouses, cattle sheds/stables, airports, mosques.

Why install a NORDIK HVLS SUPER BLADE

When turning, a ceiling fan generates a column of air moving downwards and towards the outside along the floor. The extent of this column grows with the diameter of the fan and, by a lesser degree, with its rotation speed.

With equal rotation speed, a ceiling fan with larger diameter is able to move a larger mass of air; at the same time, a column of air moving at a faster speed disperses quicker.

Also, the distance of propagation of the column of air produced by the fan increases with the diameter of the latter due to the effect of the action on it, proportionally more limited, exerted by the friction of the surrounding still air.

This being understood, the use of ceiling fans of the NORDIK HVLS SUPER BLADE series, which boast a high (IP65) degree of resistance to water and dust, offer an extended range of continuous operating temperatures (-10° C / + 50° C) and guarantee a wide range of speed control. It is particularly appropriate in industrial contexts, such as warehouses, sheds, stables, etc. ..., where the use of air conditioning systems would be impractical or however too expensive, as well as in commercial areas, such as supermarkets, gyms, airports, etc. ..., where their action allows significant savings due to the amplification of the effects of any air conditioning systems present and the destratification of the air.

In particular, the installation of a NORDIK HVLS SUPER BLADE allows significant advantages both in the hot and cold seasons.



APPLICATIONS

Summer use

As known, high temperatures and high levels of relative humidity limit environmental comfort, in some cases even compromising the productivity of the occupants. In normal conditions, the human body feels the need to release heat starting from environment temperatures above approx. 23°C. With respect to air conditioners, which reduce environment temperature, by accelerating the speed of the air that envelops the occupants, at equal temperature, the fans promote cooling by accentuating the transfer of heat by convection and due to evaporation of sweat.

Winter use

The hot air, which is less dense than cold air, concentrates in proximity of the ceiling giving rise to the phenomenon known as “stratification”. The use of fans able to push the hot air downwards leads to remixing (“de-stratification”), useful for overcoming the problem, guaranteeing significant savings in terms of less energy dissipation through walls and the roof and reduced caloric intake necessary to maintain adequate temperature levels at the level of the occupants.





NORDIK HVLS SUPER BLADE RANGE

Industrial ceiling fans

TECNICAL DATA

MODELS	CODE	V~50/60HZ	Phase	W MAX	A MAX	RPM	Ø m	NR. BLADE	MAX AIRFLOW m³/h	Kg
NORDIK HVLS SUPER BLADE 300/120"	61080	200/480	1/3	600	1.43	160	3	5	310000	80,5
NORDIK HVLS SUPER BLADE 300/120" L	61090	200/480	1/3	600	1.43	160	3	5	310000	89
NORDIK HVLS SUPER BLADE 400/160"	61081	200/480	1/3	650	1.67	100	4	5	370000	88
NORDIK HVLS SUPER BLADE 400/160" L	61091	200/480	1/3	650	1.67	100	4	5	370000	96,5
NORDIK HVLS SUPER BLADE 500/200"	61082	200/480	1/3	850	1.97	80	5	5	530000	104
NORDIK HVLS SUPER BLADE 500/200" L	61092	200/480	1/3	850	1.97	80	5	5	530000	112,5
NORDIK HVLS SUPER BLADE 600/240"	61083	200/480	1/3	850	2.02	55	6	5	600000	111,5
NORDIK HVLS SUPER BLADE 600/240" L	61093	200/480	1/3	850	2.02	55	6	5	600000	120
NORDIK HVLS SUPER BLADE 700/280"	61084	200/480	1/3	900	2.12	38	7	5	650000	131,5
NORDIK HVLS SUPER BLADE 700/280" L	61094	200/480	1/3	900	2.12	38	7	5	650000	140



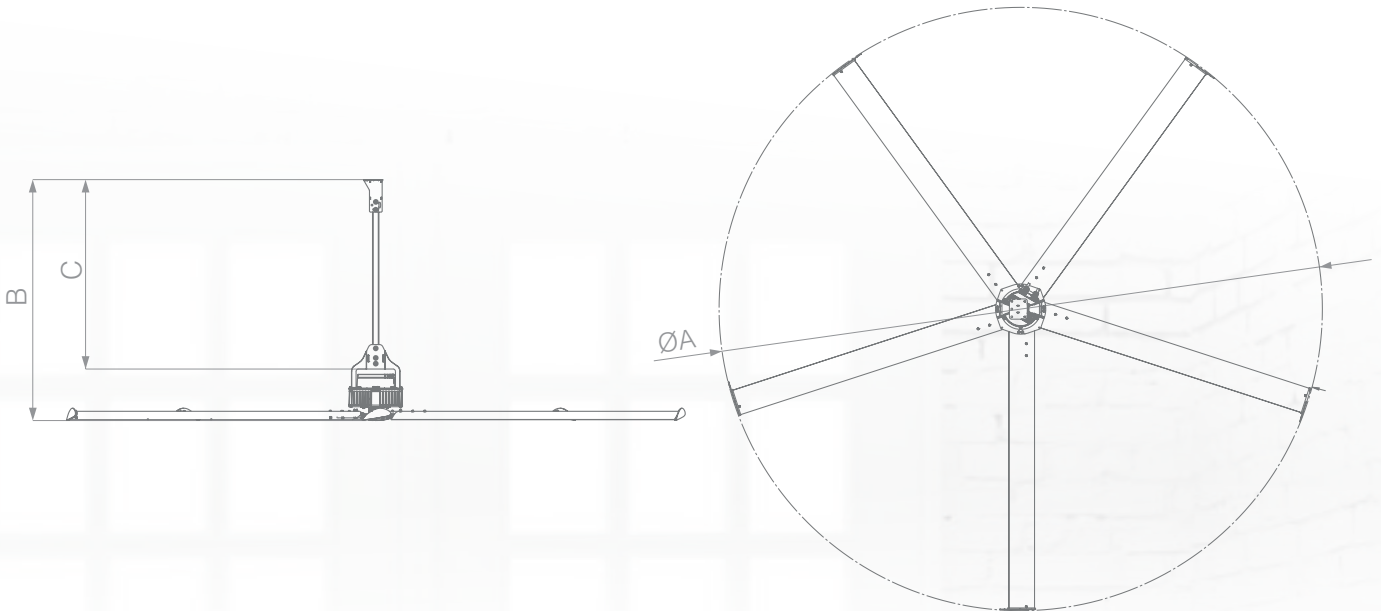
ACCESSORIES

MODELS	CODE	Descriptions
		Suspension tie-rods kit: Optional kit consisting of four of rods, designed to assure robust and safe installation.
NHVL - RD	21136	This kit is mandatory in case of: - Strong wind; - Risk of accidental collisions with machines or objects in motion near the ceiling fan; - Presence of birds; - Seismic zone installation or areas characterized by vibrations (ex. Industrial processes involving the use of hammers or industrial presses)
VORT T	21137	Control unit with LCD display, able to handle up to 10 units (control units supplied as optional).
POT-I	12832	0 - 10V potentiometer
POT	12828	0 - 10V potentiometer
USB-C	21198	Modbus USB converter for VORT T control unit, useful for the remote control and monitoring of the fan/fans through a personal computer
WP	21197	Additional external anemometer for VORT T control unit, useful for the automatic control of the fan/fans in case of gusts of wind

DIMENSIONS

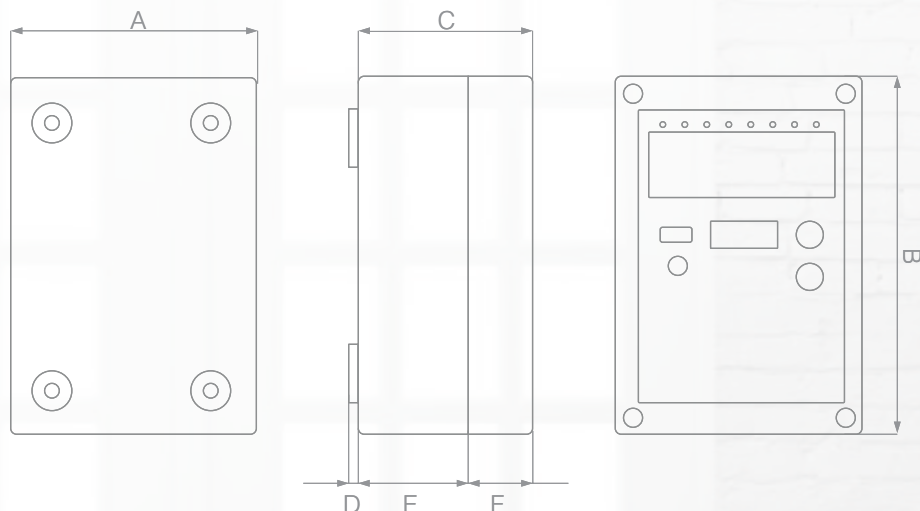
MODELS	CODE	ØA	B	C
NORDIK HVLS SUPER BLADE 300/120"	61080	3000	1880	1470
NORDIK HVLS SUPER BLADE 300/120" L	61090	3000	3310	3000
NORDIK HVLS SUPER BLADE 400/160"	61081	4000	1880	1470
NORDIK HVLS SUPER BLADE 400/160" L	61091	4000	3310	3000
NORDIK HVLS SUPER BLADE 500/200"	61082	5000	1880	1470
NORDIK HVLS SUPER BLADE 500/200" L	61092	5000	3310	3000
NORDIK HVLS SUPER BLADE 600/240"	61083	6000	1880	1470
NORDIK HVLS SUPER BLADE 600/240" L	61093	6000	3310	3000
NORDIK HVLS SUPER BLADE 700/280"	61084	7000	1880	1470
NORDIK HVLS SUPER BLADE 700/280" L	61094	7000	3310	3000

Dimensions (mm)



CODE	A	B	C	D	E	F
21137	110	160	78	3	50	28

Dimensions (mm)



Vortice Elettrosociali S.p.A
Strada Cerca, 2
Frazione di Zoate
20067 Tribiano (Milano)
Tel. (+39) 02 906991
Fax (+39) 02 90699625
Italia
www.vortice.com

Vortice Limited
Beeches House-Eastern
Avenue Burton on Trent
DE13 0BB
Tel. (+44) 1283-49.29.49
Fax (+44) 1283-54.41.21
United Kingdom
www.vortice.ltd.uk

Vortice Ventilation System
(ChangZhou) Co.LTD
No. 388 West Huanghe Road
Building 19, ChangXhou
Post Code: 213000
China
Tel. (+86) 0519 88990150
Fax (+86) 0519 88990151
www.vortice-china.com

Vortice Latam S.A.
3er Piso, Oficina 9-B
Edificio Meridiano
Guachipelín, Escazú
San José, Costa Rica
PO Box 10-1251
Tel. (+506) 2201.6219
Fax (+506) 2201.6239
www.vortice-latam.com

