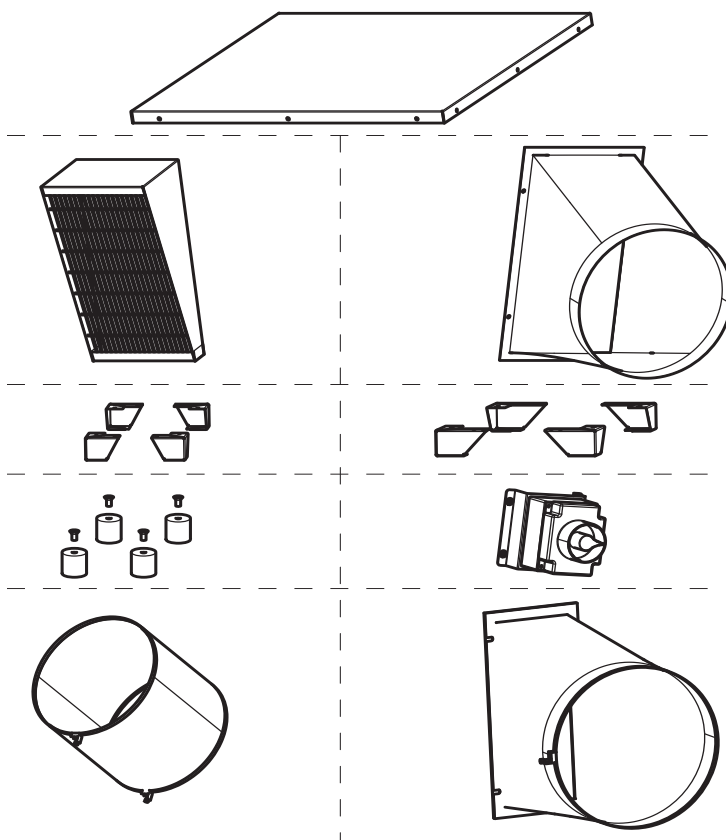




## VORT QBK - SAL KC ACCESSORI / ACCESSORIES



COD. 5471.084.305

19.02.2016

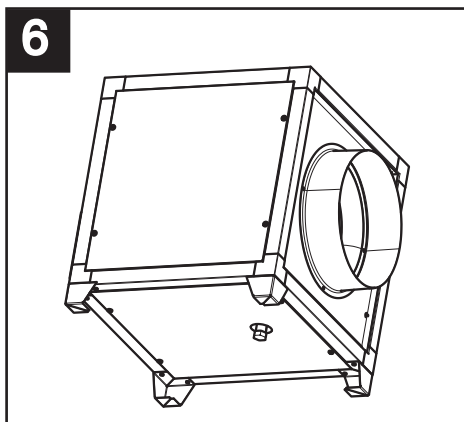
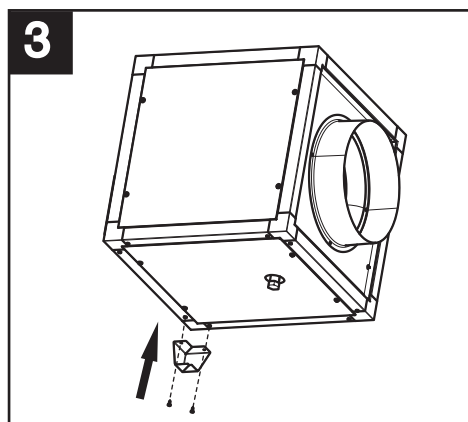
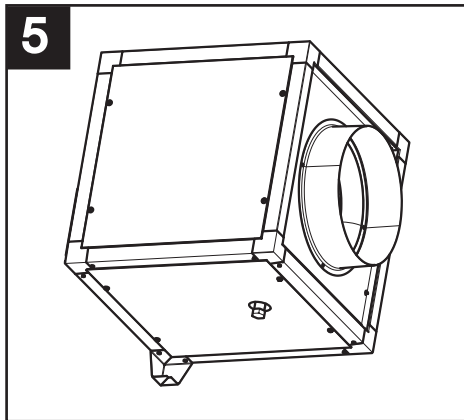
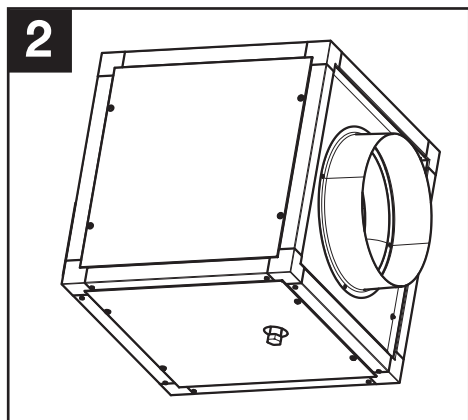
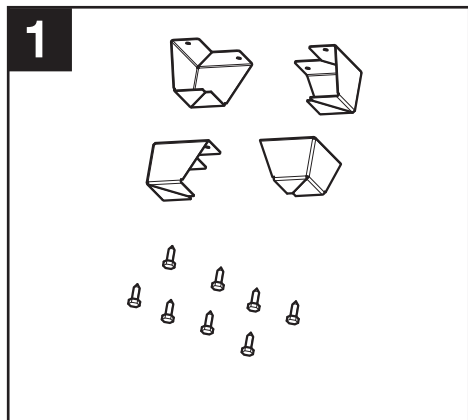
VORTICE LIMITED  
Beeches House - Eastern Avenue  
Burton on Trent  
DE13 0BB  
Tel. (+44) 1283-492949  
Fax (+44) 1283-544121  
UNITED KINGDOM

VORTICE FRANCE  
15/33 Rue Le Corbusier  
Europarc  
94046 CRETEIL Cedex  
Tel. (+33) 1-55.12.50.00  
Fax (+33) 1-55.12.50.01  
FRANCE

VORTICE ELETTROSOCIALI S.p.A.  
Strada Cerca, 2 - frazione di Zoate  
20067 TRIBIANO (MI)  
Tel. (+39) 02-90.69.91  
Fax (+39) 02-90.64.625  
ITALIA

# Piedi in metallo

## Mounting feet







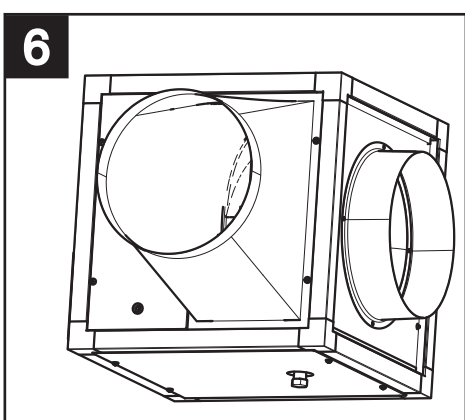
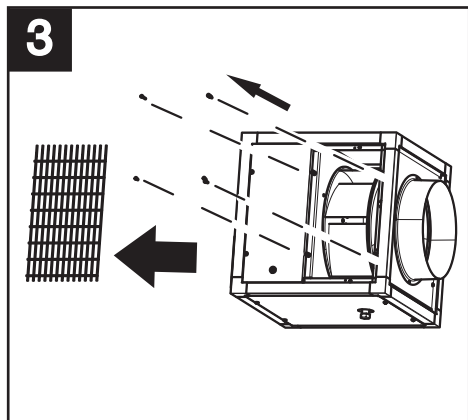
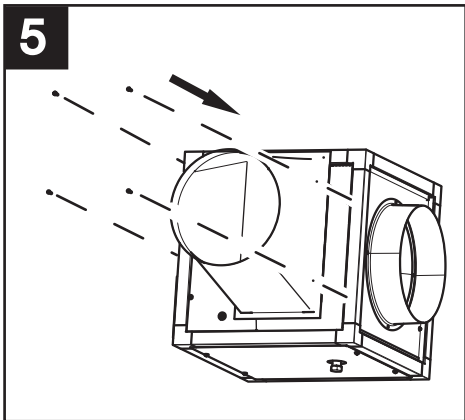
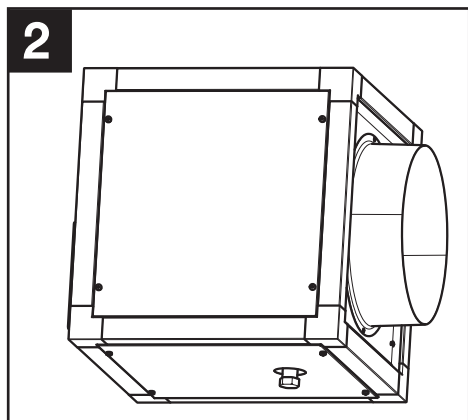
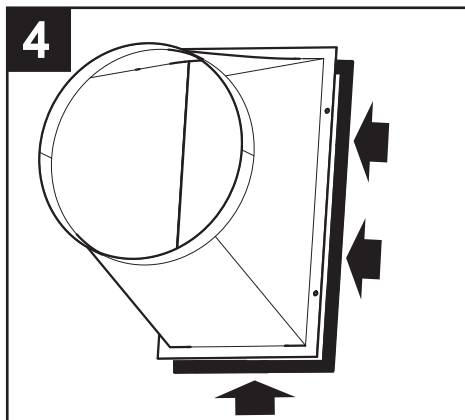
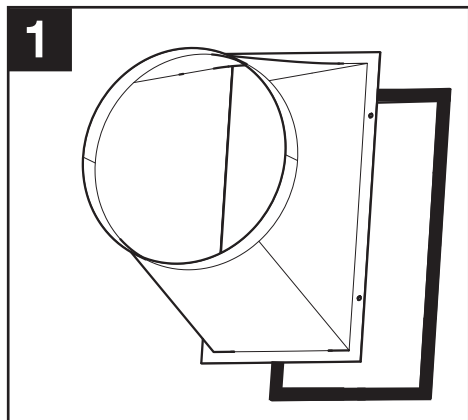


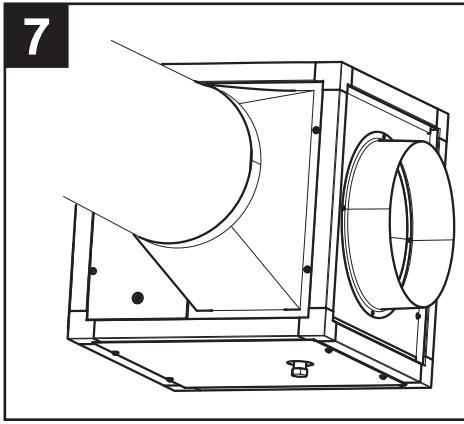


# Raccordo rettangolare/tondo

## Circular discharge adaptor

VORT QBK-SAL KC 315	24.184
VORT QBK-SAL KC 355	24.185
VORT QBK-SAL KC 400	24.186
VORT QBK-SAL KC 500	24.187
VORT QBK-SAL KC 560	24.135



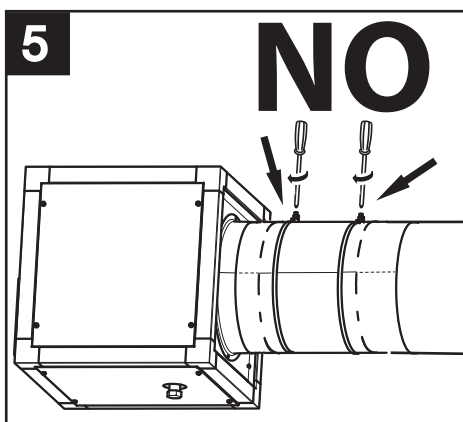
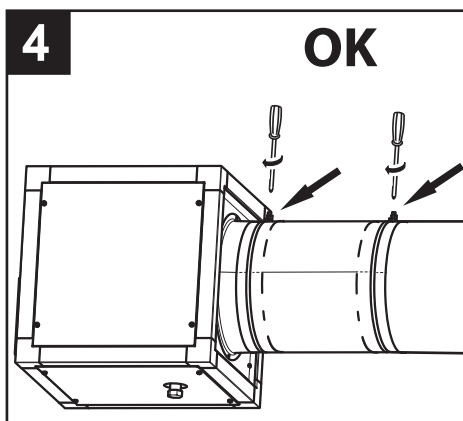
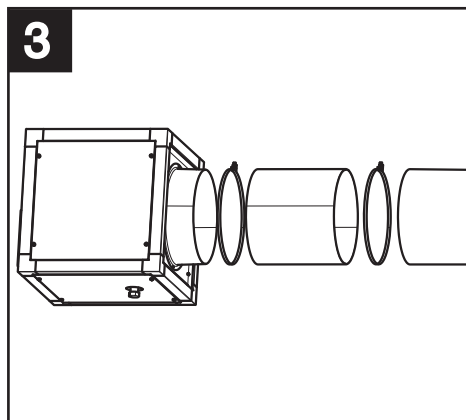
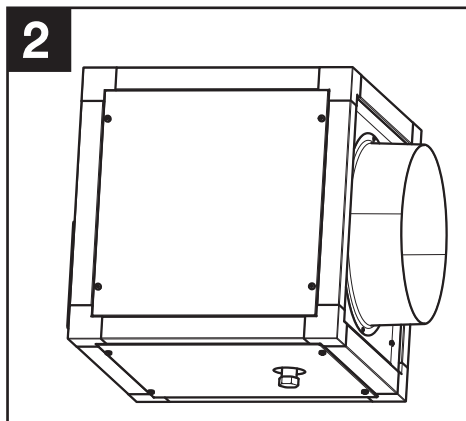
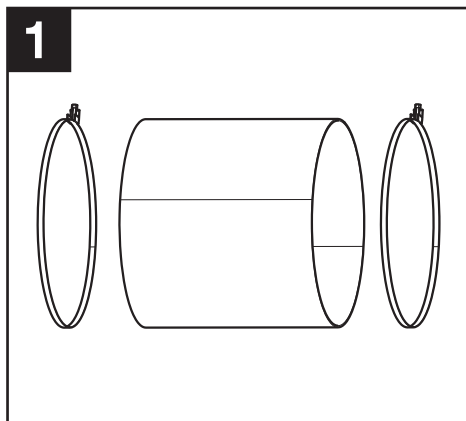




# Adattatore flessibile circolare

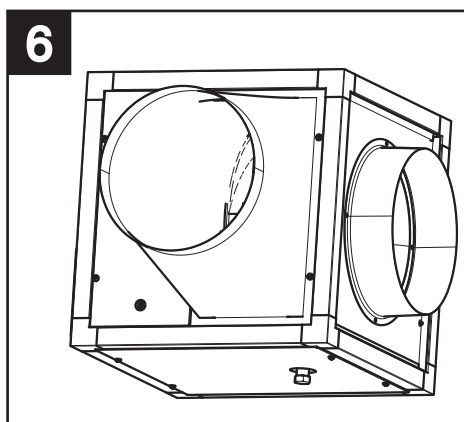
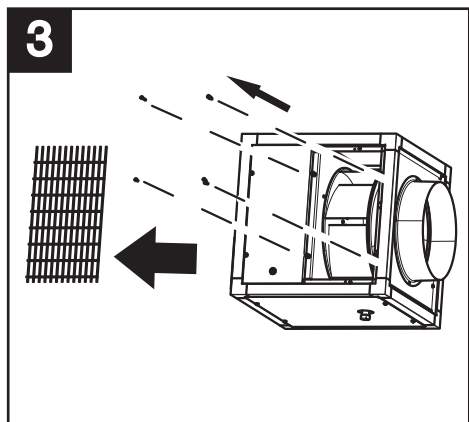
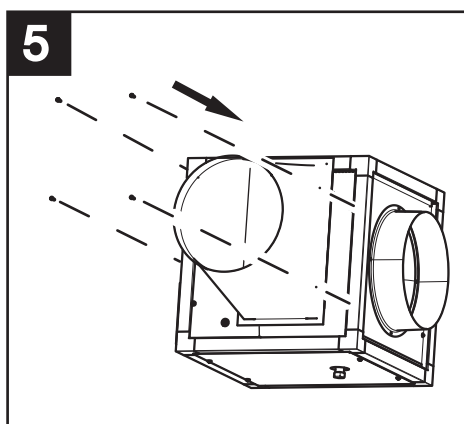
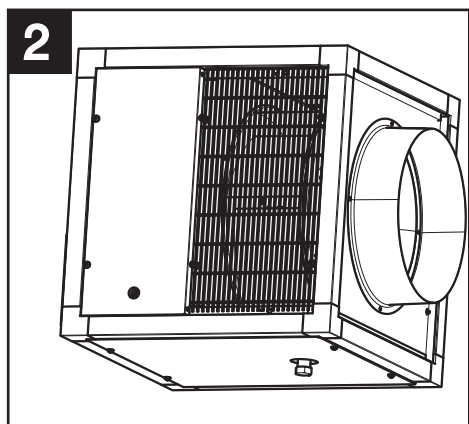
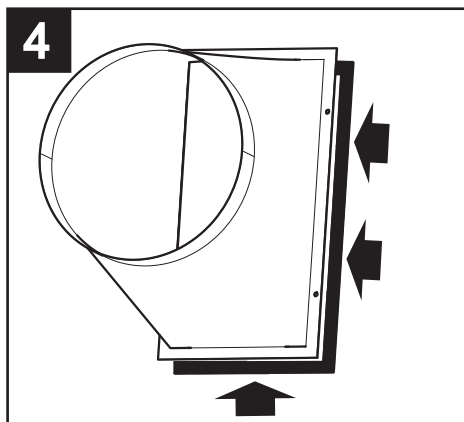
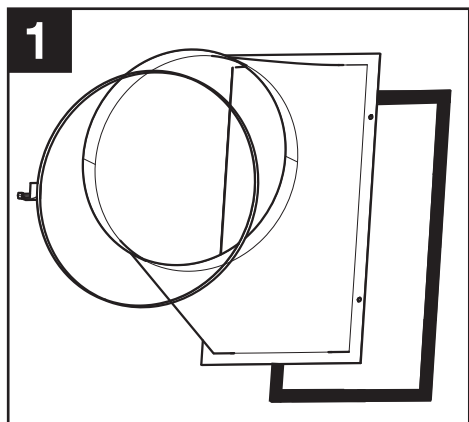
## Round flexible adapter

VORT QBK-SAL KC 315	25.063
VORT QBK-SAL KC 355	25.064
VORT QBK-SAL KC 400	25.065
VORT QBK-SAL KC 500	25.066
VORT QBK-SAL KC 560	25.067



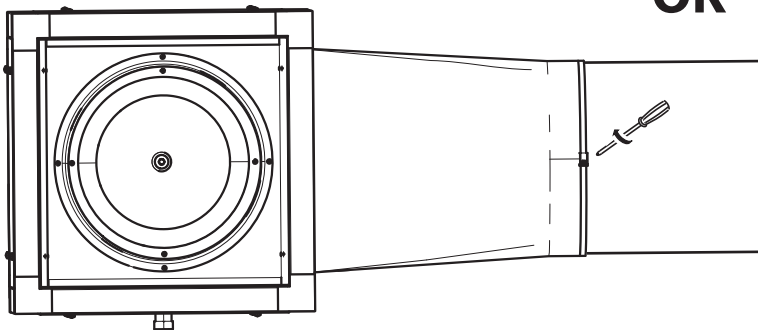
# Soffietto rettangolare/tondo Rectangular-round flexible adapter

VORT QBK-SAL KC 315	21.102
VORT QBK-SAL KC 355	21.103
VORT QBK-SAL KC 400	21.104
VORT QBK-SAL KC 500	21.105
VORT QBK-SAL KC 560	21.106



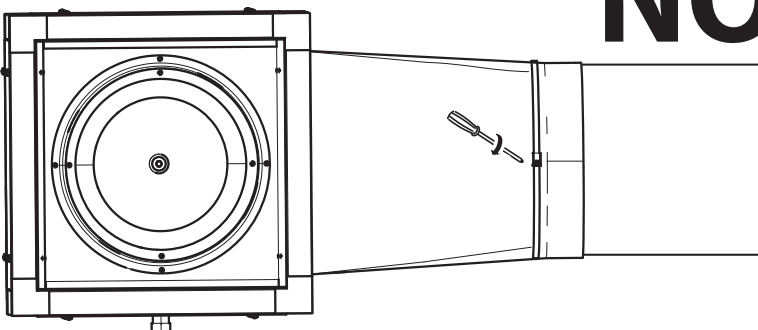
**7**

**OK**



**8**

**NO**



# Interruttore ON / OFF ON / OFF SWITCH

VORT QBK-SAL KC 315	25.059
VORT QBK-SAL KC 355	25.059
VORT QBK-SAL KC 400	25.059
VORT QBK-SAL KC 500	25.059
VORT QBK-SAL KC 560	25.059

