



SUMMER
VENTILATION





VORTICE S.p.A. is part of a multinational group, **VORTICE GROUP**, which operates through its own companies or local distributors in over 90 countries worldwide and has a rich product portfolio that guarantees air quality and climate comfort. The headquarters of **VORTICE S.p.A.** are in Tribiano (Milan).



VORTICE GROUP also includes:

[1]
VORTICE LIMITED, the UK subsidiary of **VORTICE S.p.A.**, founded in 1977 with headquarters in Burton upon Trent.

[2]
VORTICE INDUSTRIAL, born from the acquisition in 2010 of Loran srl, based in Isola della Scala (VR).

[3]
VORTICE VENTILATION SYSTEM, a company inaugurated in 2013 with headquarters in Changzhou, China.

[4]
VORTICE LATAM S.A., based in Alajuela in Costa Rica, established in 2012.

[5]
CASALS VENTILACIÓN AIR INDUSTRIAL S.L., historic Spanish brand, based in Sant Joan de les Abadesses, Girona, acquired in 2019.

INDEX



RESIDENTIAL CEILING FANS

- 04 **NORDIK AIR DESIGN RANGE**
Reversible ceiling fans
- 10 **NORDIK ECO RANGE**
Energy Saving and Reversible ceiling fans
- 14 **NORDIK EVOLUTION RANGE**
Reversible ceiling fans
- 22 **NORDIK DESIGN 1S/1SL RANGE**
Ceiling fans with or without light
- 28 **NORDIK INTERNATIONAL PLUS RANGE**
IPX5 ceiling fans
- 34 **NORDIK INTERNATIONAL PLUS-R RANGE**
Reversible ceiling fans IPX5



SUMMER VENTILATION

- 40 **GORDON RANGE**
Oscillating table, wall-mounting and pedestal fans
- 44 **ARIANTE RANGE**
Rotating, multi-directional table and floor fans
- 48 **ARIANTE TOWER RANGE**
Oscillating tower fans



ErP compliant
The ErP compliant logo indicates that the appliance is eco-compatible and adheres to the ErP directive 2009/125/CE.



The IMQ (Italian Mark Institute) mark certifies that the product is manufactured in compliance with the provisions of relevant established safety standards and directives.



The IMQ (Italian Mark Institute) denotes compliance with C.E.I. product performance regulations, and this is certified by the Istituto Italiano del Marchio di Qualità.

Regulatory Standards

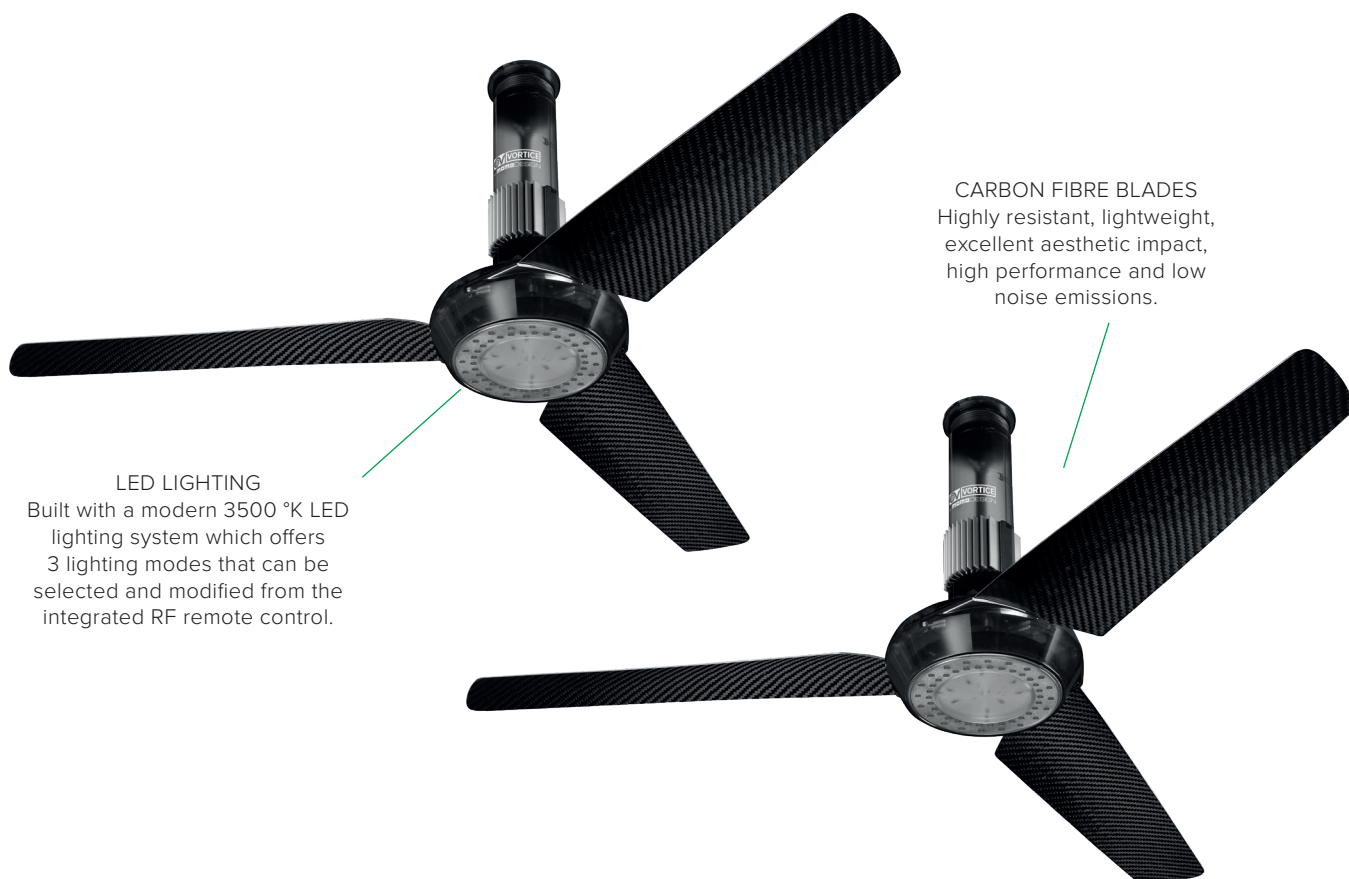
Summer Ventilation products comply with the following European Directives:

- Low Voltage Directive (LVD) - 2014/35/UE;
- Electromagnetic Compatibility Directive (EMC) - 2014/30/UE;
- Machines Directive MD 2006/42/EC;
- ErP Eco Design Directive 2009/125/EC;
- European Regulation N° 206/2012;
- European Regulation N° 1275/2008.

NORDIK® AIR DESIGN RANGE

Reversible ceiling fans with 3 blades for residential and commercial applications, characterised by the sophisticated aesthetics, the work of Momodesign, and which, on request, can be configured in a wide range of sizes and colours. Distinctive characteristics of the NORDIK AIR DESIGN fans are the advanced technologies used, from the carbon fibre blades to the LED lighting system, to the radio frequency remote control, studied to maximise the usability of the products, minimise noise emissions and optimise consumption.

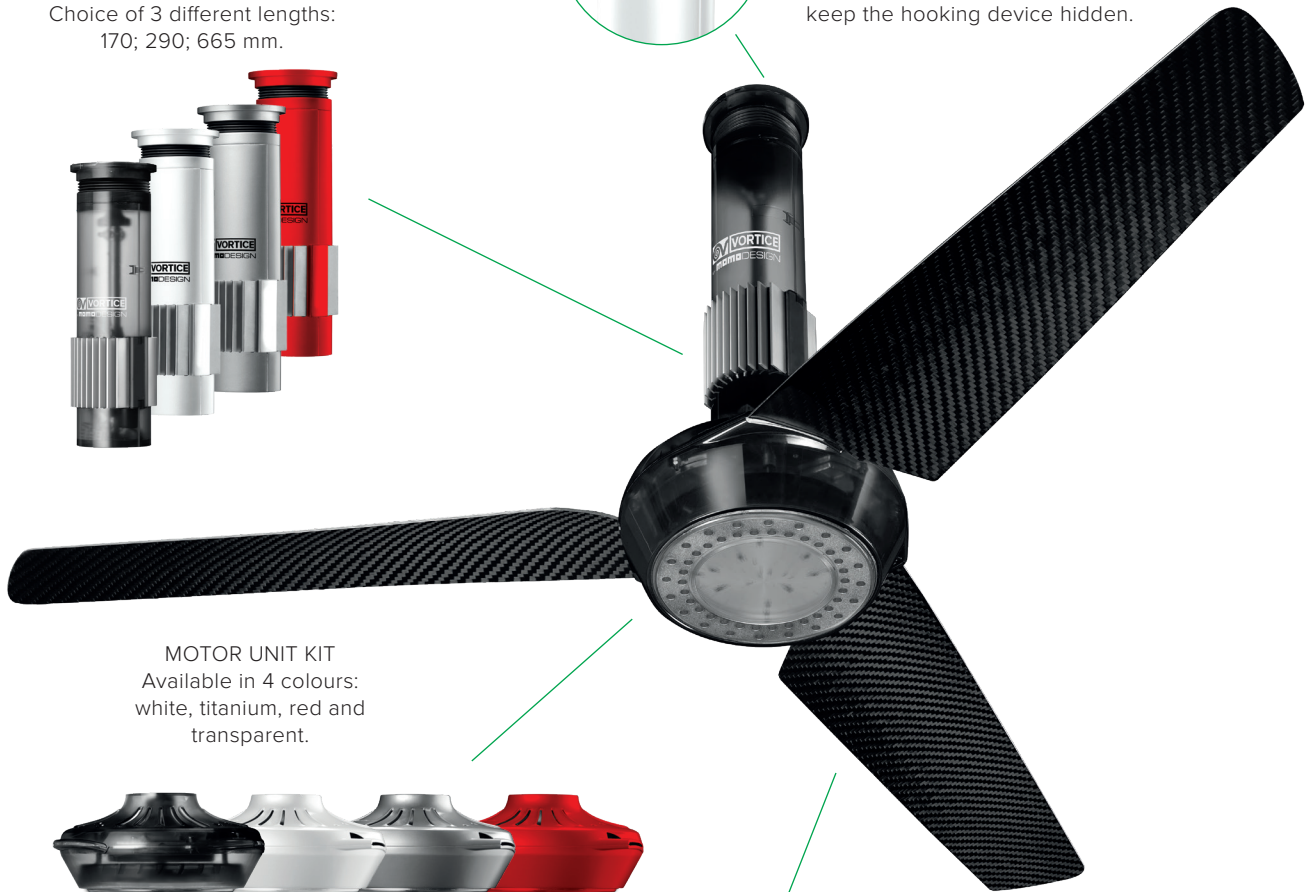
- 12 standard models, with different nominal diameters (1400 mm, 1800 mm), suspension rod lengths (170 mm and 290 mm) and aesthetic finishes. Additional versions can be obtained on request, from the combination of motor lids, suspension rods and sets of blades which have different dimensions and colours.
- Design and construction entirely “Made in Italy”.
- Design: **MOMODESIGN**
- This range of fans consists of 12 models and 4 standard configurations.
- Other versions can be created by combinations of 4 different motor unit kits, 12 different suspension kits and 16 different blade kits.
- A special program, accessible on vortice.com, will guide customers in configuring the product that most suits their tastes and /or needs.



SUSPENSION SYSTEM KIT
Available in 4 colours: white, transparent, red and titanium.
Choice of 3 different lengths: 170; 290; 665 mm.



RETRACTABLE FASTENING
The particular shape of the suspension tube lets you keep the hooking device hidden.



MOTOR UNIT KIT
Available in 4 colours: white, titanium, red and transparent.



BLADE FINISHES
Available in 4 finishes: Visible carbon; carbon/rosewood; carbon/wenge; carbon/oak.
Choice of blade dimensions: 120 - 140 - 160 - 180.



Radio frequency remote control (RF), which allows to:

1. switch the product on/off;
2. control rotation speed (5 pre-defined alternatives available);
3. set the direction of rotation, and with it, decide the direction of the flow of air generated;
4. switch the light on/off, at the same time selecting the type of lighting desired;
5. control the brightness of the light source;
6. programme delayed fan switch off in steps of 15', up to a maximum of 75'.

NORDIK AIR DESIGN RANGE

REVERSIBLE CEILING FANS

- Caps, motor covers and external casings of the support rods (suspension pipes) incorporating the control electronics, moulded in transparent plastic resin (PC), embossed internally and painted in different colours.
- Reverse function It allows to reverse the air flow direction from floor to ceiling: this means that the flow is no longer direct, but wider and more all-round. It also helps reducing the difference in temperature between the floor (where the temperature is lower) and the ceiling (where it is in winter time).
- Carbon fibre blades, to team lightness and torsional rigidity, shaped with airfoil profile to combine reduced noise levels and high efficiency even at low speeds.
- Electro-galvanised steel support rods.
- Can be installed on steep sloping ceilings.
- External rotor type self-protected motors, operating clockwise and anti-clockwise, with shafts mounted on ball bearings to guarantee prolonged continuous service at maximum plate temperature and designed to ensure high performance also at low speeds.
- LED lighting system (3500 °K colour temperature), which offers three alternative lighting modes, which are selected via remote control.
- Safety cable, compliant with the most recent international regulation regarding safety of ceiling fans, to prevent risks of falling if the product is not installed correctly.
- Safety certified by third party body (CE).
- Class of electric isolation: II (earthing not required).

Adjustable LED system

HOME ENVIRONMENT

Powered by 60 LEDs in the central part of the ceiling lamp, 120° light beam, intensity adjustable as desired.



WORK ENVIRONMENT ("DARK LIGHT")

Powered by 50 LEDs in the outer crown of the ceiling lamp, 70° light beam, intensity adjustable as desired.



MIXED HOME-WORK ENVIRONMENT

Powered by all 110 LEDs on the ceiling lamp, intensity adjustable as desired.



TECHNICAL DATA

| MODELS | CODE | COLOR | V | HZ | W | A | RPM | NR. BLADE | MAX AIRFLOW m ³ /h | Kg |
|--------------------------|-------|------------|-----------|----|-----|------|-----|-----------|----------------------------------|------|
| NORDIK AIR DESIGN 140-17 | 61030 | TRASPARENT | 220 - 240 | 50 | 115 | 0.54 | 184 | 3 | 12500 | 9.7 |
| NORDIK AIR DESIGN 140-17 | 61033 | WHITE | 220 - 240 | 50 | 115 | 0.54 | 184 | 3 | 12500 | 9.7 |
| NORDIK AIR DESIGN 140-17 | 61036 | TITANIUM | 220 - 240 | 50 | 115 | 0.54 | 184 | 3 | 12500 | 9.7 |
| NORDIK AIR DESIGN 140-29 | 61031 | TRASPARENT | 220 - 240 | 50 | 115 | 0.54 | 184 | 3 | 12500 | 9.7 |
| NORDIK AIR DESIGN 140-29 | 61034 | WHITE | 220 - 240 | 50 | 115 | 0.54 | 184 | 3 | 12500 | 9.8 |
| NORDIK AIR DESIGN 140-29 | 61037 | TITANIUM | 220 - 240 | 50 | 115 | 0.54 | 184 | 3 | 12500 | 9.8 |
| NORDIK AIR DESIGN 160-29 | 61032 | TRASPARENT | 220 - 240 | 50 | 115 | 0.54 | 162 | 3 | 15500 | 10.0 |
| NORDIK AIR DESIGN 160-29 | 61035 | WHITE | 220 - 240 | 50 | 115 | 0.54 | 162 | 3 | 15500 | 10.0 |
| NORDIK AIR DESIGN 160-29 | 61038 | TITANIUM | 220 - 240 | 50 | 115 | 0.54 | 162 | 3 | 15500 | 10.0 |
| NORDIK AIR DESIGN 180-29 | 61039 | TRASPARENT | 220 - 240 | 50 | 115 | 0.54 | 148 | 3 | 16500 | 10.0 |
| NORDIK AIR DESIGN 180-29 | 61041 | WHITE | 220 - 240 | 50 | 115 | 0.54 | 148 | 3 | 16500 | 10.0 |
| NORDIK AIR DESIGN 180-29 | 61042 | TITANIUM | 220 - 240 | 50 | 115 | 0.54 | 148 | 3 | 16500 | 10.0 |

NORDIK® AIR DESIGN RANGE | TECHNICAL DATA FOR REGULATION N° 206/2012 UE

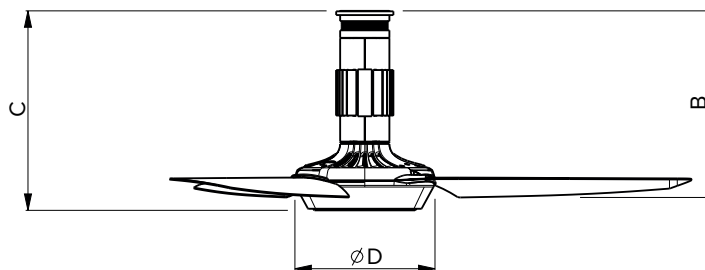
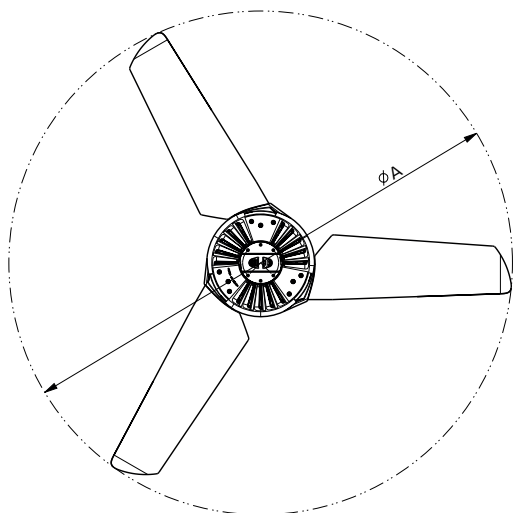
| | SYMBOL | UNIT OF MEASURE | NORDIK AIR DESIGN 140-17 | NORDIK AIR DESIGN 140-29 | NORDIK AIR DESIGN 160-29 | NORDIK AIR DESIGN 180-29 |
|---------------------------|--------|------------------------|-----------------------------|-----------------------------|-----------------------------|-----------------------------|
| CODE | | | 61030 - 61033 - 61036 | 61031 - 61034 - 61037 | 61032 - 61035 - 61038 | 61039 - 61041 - 61042 |
| Maximun fan air flow | F | m ³ /min | 208.33 | 208.33 | 258.33 | 275 |
| Fanpower input | P | W | 115 | 115 | 115 | 115 |
| Service value | SV | (m ³ /min)W | 1.811 | 1.811 | 2.246 | 2.391 |
| Standby power consumption | PSB | kW | - | - | - | - |
| Fan sound power level | LWA | dB(A) | 48.2 | 48.2 | 48.7 | 48.9 |
| Maximum air velocity | C | m/sec | 1.57 | 1.57 | 1.49 | 1.42 |

Measurement standard for service value

IEC 60879; EN62301: UNI EN ISO 3741

For more information refer to: Vortice Elettrosociali Spa, Strada Cerca, 2 - 20067 Zoate di Tribiano (MI) Italia

DIMENSIONS



| MODELS | CODE | ØA | B | C | ØD |
|--------------------------|-----------------------|------|-----|-----|-----|
| NORDIK AIR DESIGN 140-17 | 61030 - 61033 - 61036 | 1400 | 400 | 425 | 300 |
| NORDIK AIR DESIGN 140-29 | 61031 - 61034 - 61037 | 1400 | 520 | 545 | 300 |
| NORDIK AIR DESIGN 160-29 | 61032 - 61035 - 61038 | 1600 | 520 | 545 | 300 |
| NORDIK AIR DESIGN 180-29 | 61039 - 61041 - 61042 | 1800 | 520 | 545 | 300 |

NORDIK AIR DESIGN RANGE

REVERSIBLE CEILING FANS

CUSTOMISATION

Create your Air Design however you like: choose the blade kit finish, the colour of the suspension system kit and the motor unit kit directly from our new configurator, available on our website [vortice.com \(http://airdesign.vortice.it/en\)](http://airdesign.vortice.it/en).



SUSPENSION SYSTEM KIT

| COLOR | 170 | 290 | 665 |
|------------|-------|-------|-------|
| TRASPARENT | 21040 | 21045 | 21050 |
| WHITE | 21041 | 21046 | 21051 |
| TITANIUM | 21042 | 21047 | 21052 |
| RED | 21043 | 21048 | 21053 |

MOTOR UNIT KIT

| TRASPARENT | WHITE | TITANIUM | RED |
|------------|-------|----------|-------|
| 21020 | 21021 | 21022 | 21023 |



BLADE KIT

| COLOR | 120 CM | 140 CM | 160 CM | 180 CM |
|-----------------------|--------|--------|--------|--------|
| CARBON BLADE | 21060 | 21064 | 21068 | 21072 |
| CARBON ROSEWOOD BLADE | 21061 | 21065 | 21069 | 21073 |
| CARBON OAK BLADE | 21062 | 21066 | 21070 | 21074 |
| CARBON WENGE BLADE | 21063 | 21067 | 21071 | 21075 |

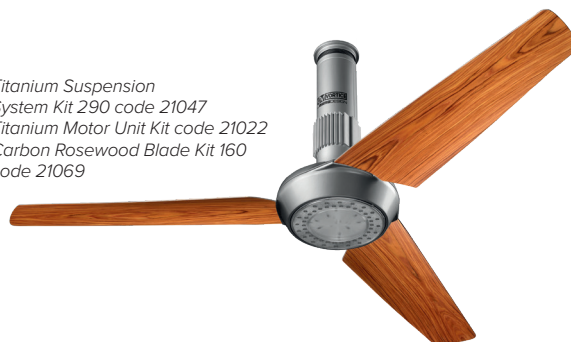


EXAMPLE CONFIGURATION

White Suspension
System Kit 290 code 21046
White Motor Unit Kit code 21021
Carbon Oak Blade Kit 160
code 21070



Titanium Suspension
System Kit 290 code 21047
Titanium Motor Unit Kit code 21022
Carbon Rosewood Blade Kit 160
code 21069



White Suspension
System Kit 290 code 21046
Red Motor Unit Kit code 21023
Carbon Blade Kit 160
code 210687



White Suspension
System Kit 290 code 21046
White Motor Unit Kit code 21021
Carbon Wenge Blade Kit 160
code 21071



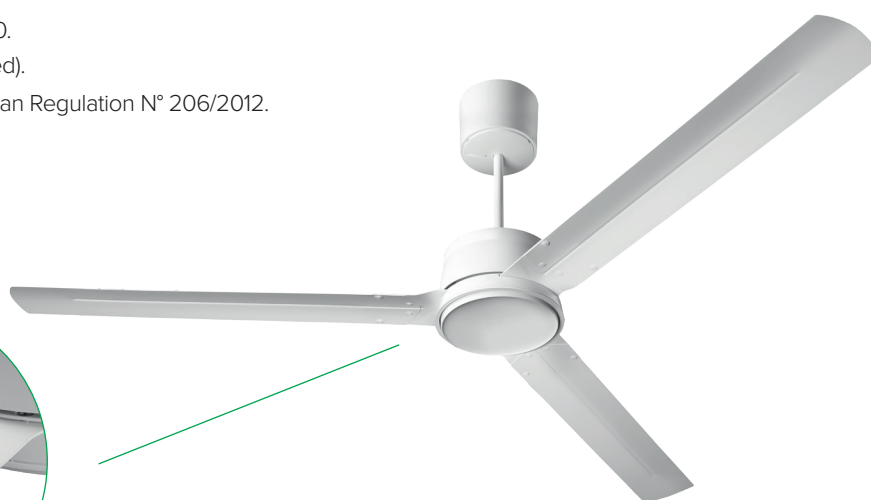
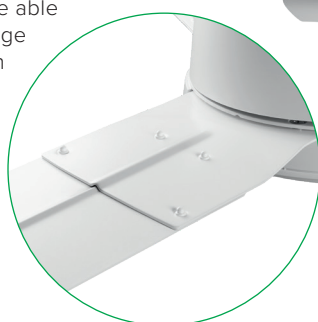


NORDIK® ECO RANGE

Reversible ceiling fans for residential and commercial applications, equipped with EC motors (brushless), which ensure low consumption (indicatively half that of traditional AC units of equal power and performance), and allow the speed to be controlled to adapt performance to the actual requirements.

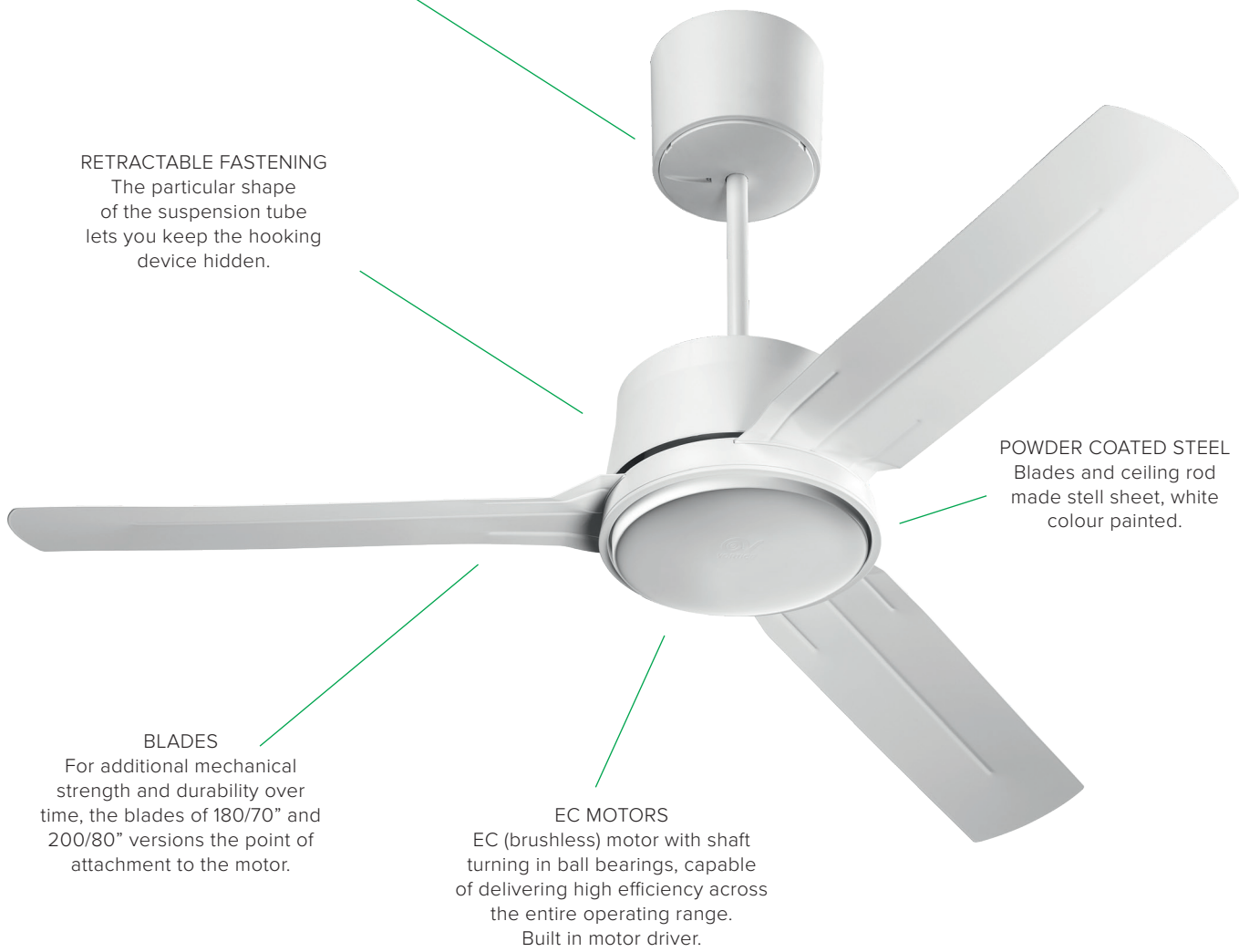
- 6 models, available with blade diameters of 90, 120, 140, 160, 180, 200 all white.
- Design and construction entirely “Made in Italy”.
- Reduced consumption (important in the case of a high number of products installed and prolonged periods of their annual use).
- High continuous use environment temperature (45°C).
- Indicated also for night-time operation, thanks to the painted sheet steel blades with profile accurately studied to guarantee particularly silent operation.
- Reversibility function: it is possible to invert the direction of the air flow, directing it from the bottom upwards to create an indirect flow and therefore more comfortable, enveloping and ample. In this way, de-stratification of the heat is improved in the winter, reducing the temperature difference between the floor (colder) and the ceiling (warmer).
- Cools persons positioned within a circumference corresponding to approx. 2.5 times the outside diameter of the blades in a completely free environment. In the presence of walls tangent to the circumference, the cooling effect is accentuated. The minimum height of the fan from the ground must be 2.3 m.
- Caps and motor covers in heat resistant plastic resin (ABS), which are also “UV resistant”.
- Electronic switch-over (EC) brushless motors with shaft mounted on ball bearings to guarantee long lasting continuous service at the maximum plate temperature, and able to ensure high performance over the operating range. Integrated motor driver.
- White painted steel sheet support rods. In the 180/70” and 200/80” models the blades have specific reinforcement in the area of fixing to the motor, to guarantee higher mechanical resistance and duration over time.
- Supplied with a support rod measuring 290 mm long in steel painted with scratch-proof polyester paint.
- Bag of accessories containing the hardware necessary to mount the blades, the hook and the vibration damper rubber for ceiling mounting.
- Set-up to house the relevant light kit (optional) equipped with LEDs that guarantee very low consumption (approx. 25 W with respect to the 150 W of a traditional incandescent light bulb of equal 2000 Lumen, brightness), based on an average duration up to 25 times longer.
- Possibility of control via Vortice 5 speed control units or TELENORDIK ECO remote control (optional).
- Safety certified by third party body (Ⓢ).
- Protection rating from dusts and water: IP20.
- Class of electric isolation: I (earthing required).
- Compliant with the requirements of European Regulation N° 206/2012.

HIGH PERFORMANCE
thanks to the particular design of
the blades, fans of the NORDIK
ECO range are able
to displace large
airflows, varying in
volume according
to the model
size.



MOTOR CUPS AND COVERS
 Motor cups and covers made moulded from heat-resistant plastic resin, white colour.

RETRACTABLE FASTENING
 The particular shape of the suspension tube lets you keep the hooking device hidden.



POWDER COATED STEEL
 Blades and ceiling rod made steel sheet, white colour painted.

BLADES
 For additional mechanical strength and durability over time, the blades of 180/70" and 200/80" versions the point of attachment to the motor.

EC MOTORS
 EC (brushless) motor with shaft turning in ball bearings, capable of delivering high efficiency across the entire operating range. Built in motor driver.



The hanger consists of a special plate with 4 holes for tight and durable fastening, which can also be used to suspend the appliance from sloping ceilings.

NORDIK ECO RANGE
ENERGY SAVING AND REVERSIBLE CEILING FANS

TECHNICAL DATA

| MODELS | CODE | COLOUR | V | Hz | W | A | RPM | Blades | Max airflow m ³ /h |
|--------------------|-------|--------|---------|----|----|------|-----|--------|----------------------------------|
| NORDIK ECO 90/36" | 61060 | White | 220-240 | 50 | 27 | 0,26 | 250 | 3 | 9500 |
| NORDIK ECO 120/48" | 61061 | | | | 30 | 0,29 | 235 | | 14100 |
| NORDIK ECO 140/56" | 61062 | | | | 30 | 0,29 | 235 | | 16500 |
| NORDIK ECO 160/60" | 61063 | | | | 30 | 0,29 | 210 | | 17200 |
| NORDIK ECO 180/70" | 61064 | | | | 40 | 0,37 | 205 | | 21000 |
| NORDIK ECO 200/80" | 61065 | | | | 40 | 0,37 | 200 | | 22500 |

NORDIK® ECO RANGE | TECHNICAL DATA FOR REGULATION N° 206/2012 UE

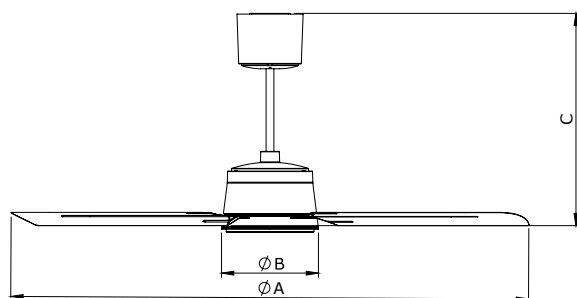
| | SYMBOL | UNIT OF MEASURE | NORDIK ECO 90/36" | NORDIK ECO 120/48" | NORDIK ECO 140/56" | NORDIK ECO 160/60" | NORDIK ECO 180/70" | NORDIK ECO 200/80" |
|---------------------------|--------|------------------------|-------------------|--------------------|--------------------|--------------------|--------------------|--------------------|
| | CODE | | 61060 | 61061 | 61062 | 61063 | 61064 | 61065 |
| Maximun fan air flow | F | m ³ /min | 158,33 | 234,17 | 275 | 286,67 | 350 | 375 |
| Fanpower input | P | W | 27 | 30 | 30 | 30 | 40 | 40 |
| Service value | SV | (m ³ /min)W | 5,864 | 7,833 | 9,167 | 9,556 | 8,750 | 9,375 |
| Standby power consumption | PSB | kW | 0,38 | 0,38 | 0,38 | 0,38 | 0,38 | 0,38 |
| Fan sound power level | LWA | dB(A) | 45,6 | 52,1 | 53,9 | 54,2 | 56,9 | 57,8 |
| Maximum air velocity | C | m/sec | 2,88 | 2,41 | 2,07 | 1,65 | 1,59 | 1,38 |

Measurement standard for service value

IEC 60879; EN62301 : UNI EN ISO 3741

For more information refer to: Vortice Elettrosociali Spa, Strada Cerca, 2 - 20067 Zoate di Tribiano (MI) Italia

DIMENSIONS



| MODELS | CODE | A | B | C |
|--------------------|-------|------|-----|-----|
| NORDIK ECO 90/36" | 61060 | 914 | 237 | 535 |
| NORDIK ECO 120/48" | 61061 | 1218 | 237 | 535 |
| NORDIK ECO 140/56" | 61062 | 1422 | 237 | 535 |
| NORDIK ECO 160/60" | 61063 | 1524 | 237 | 535 |
| NORDIK ECO 180/70" | 61064 | 1800 | 237 | 535 |
| NORDIK ECO 200/80" | 61065 | 2000 | 237 | 535 |

ACCESSORIES

POT R (code 12829)



Potentiometer - for external setting of controllers with 0-10 V

TELENORDIK ECO (code 21200)



Infrared remote control

VORT DELTA T WiFi (code 21200)

WiFi multiple controller

KIT SPARE BLADE



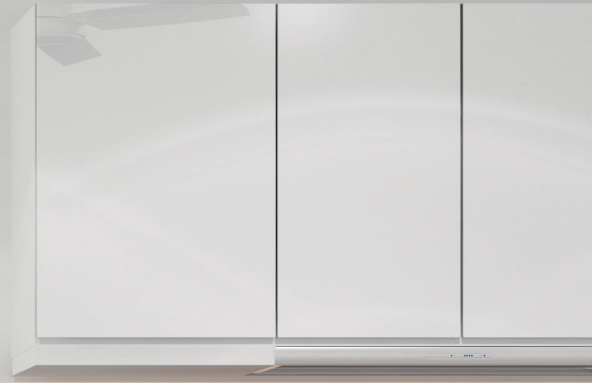
NKE BLK 900 mm (code 21162)
NKE BLK 1200 mm (code 21163)
NKE BLK 1400 mm (code 21164)
NKE BLK 1600 mm (code 21165)
NKE BLK 1800 mm (code 21166)
NKE BLK 2000 mm (code 21167)

CEILING RODS

Various lenghts to enable installation at desired height.



NKE ROD 160 mm (code 21150)
NKE ROD 290 mm (code 21151)
NKE ROD 350 mm (code 21152)
NKE ROD 500 mm (code 21153)
NKE ROD 665 mm (code 21154)
NKE ROD 915 mm (code 21155)



NORDIK® EVOLUTION RANGE

Ideal for use in bedrooms, living rooms, shops, stores and other public places.

- Nominal diameter of blades 900, 1200, 1400 and 1600 mm.
- Top and bottom motor covers moulded from heat-resistant and UV-resistant thermoplastic resin (ABS), colour white.
- Wiring connections at end of ceiling rod concealed by domes moulded from impact- and UV-resistant thermoplastic resin (PP).
- Four color finishes: white, silver, black and briar wood.
- Single phase start capacitor motor with external rotor, and shaft turning in ball bearings. Direction of rotation reversible.
- Maximum air flow 17011 m³/h.
- 3 sheet steel blades powder coated with scratch-resistant polyester.
- Steel ceiling rod with scratch-resistant polyester powder coated finish, length 375 mm.
- Bag of accessories containing nuts and bolts required for assembly of blades, ceiling hook and rubber anti-vibration washer.
- Factory-prepared to accept 2 specific optional light kits: with lamp rated 105 W max, E27 screw fitting; with 2x15 W max energy saving lamp, E27 screw fitting (mandatory in EU).
- Speed selectable by way of control units or Telenordik 5TR remote control (optional).
- Insulation class: Cl.I Ⓢ.

Reverse function

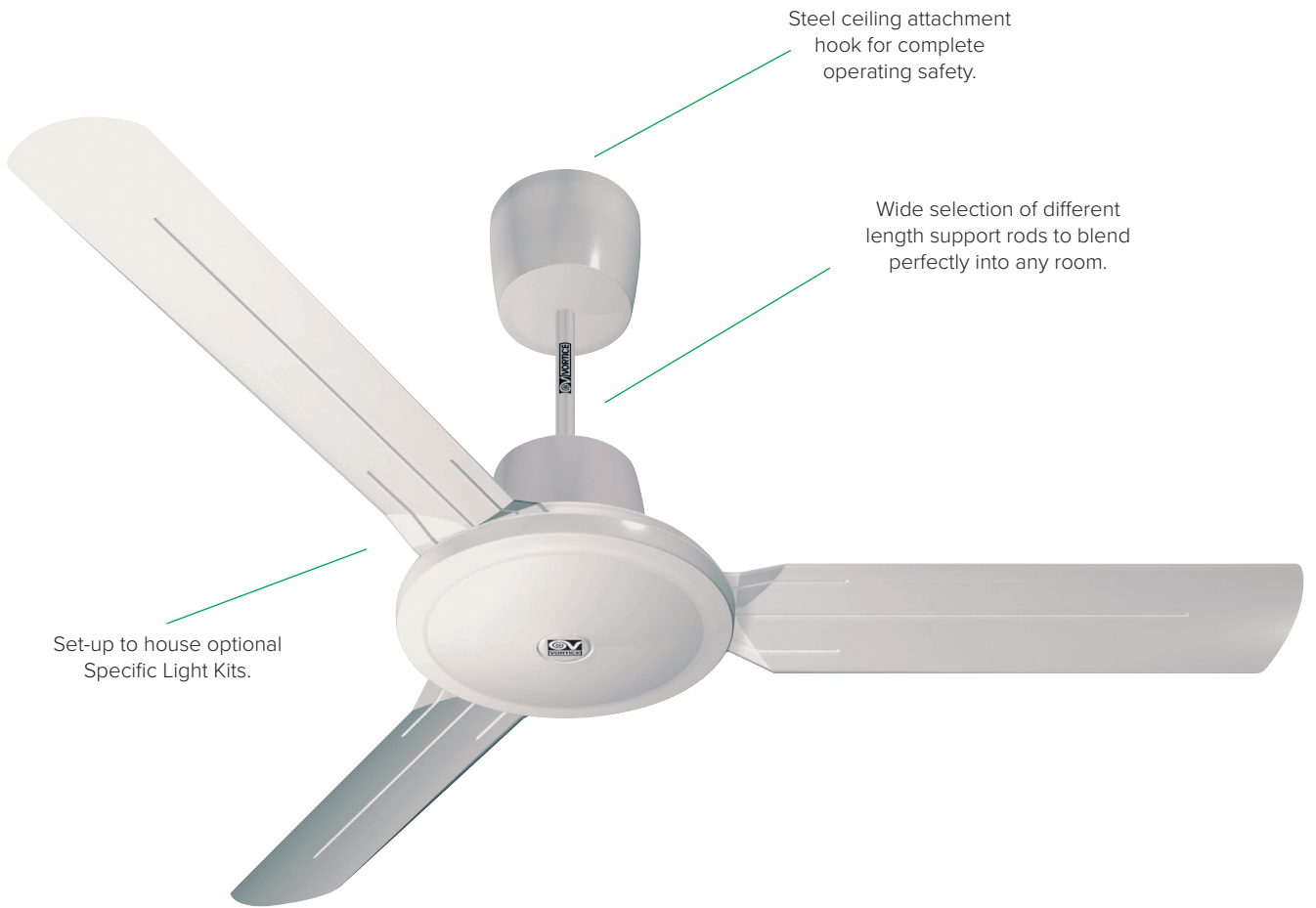
It allows to reverse the air flow direction from floor to ceiling: this means that the flow is no longer direct, but wider and more all-round. It also help reducing the difference in temperature between the floor (where the temperature is lower) and the ceiling (where it is in winter time).



EVOLUTION LIGHT KIT ES
with 1 incandescent light with max
power 105 W and E27 socket.

EVOLUTION LIGHT KIT
with 2 energy efficient E27
socket lamps.

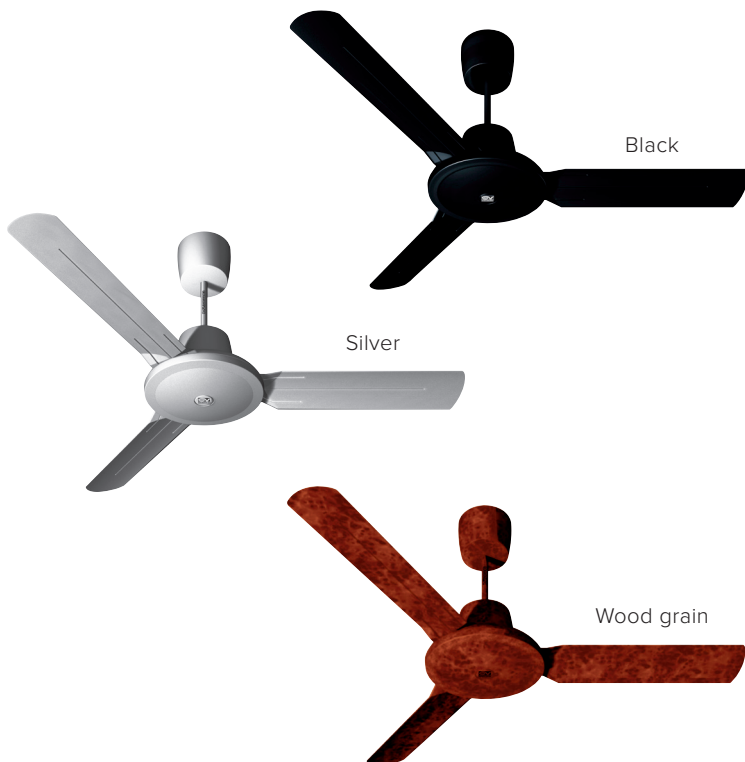




Steel ceiling attachment hook for complete operating safety.

Wide selection of different length support rods to blend perfectly into any room.

Set-up to house optional Specific Light Kits.



Black

Silver

White Gold

Wood grain

Nordik Evolution Gold models differ from the other models of the Range for their fine aesthetics, the result of advanced technologies that give the products the characteristic metallic mirror finish in white gold color.

NORDIK EVOLUTION RANGE
REVERSIBLE CEILING FANS

TECHNICAL DATA

| MODELS | CODE | COLOR | V | HZ | W | A | RPM | NR. BLADE | MAX AIRFLOW m ³ /h | Kg |
|----------------------------|-------|------------|-----------|----|----|------|-----|-----------|----------------------------------|-----|
| NORDIK EVOLUTION R 90/36" | 61750 | WHITE | 220 - 240 | 50 | 70 | 0.34 | 200 | 3 | 11592 | 6.4 |
| | 61751 | WHITE | 220 - 240 | 50 | 70 | 0.34 | 198 | 3 | 13810 | 6.8 |
| | 61754 | SILVER | 220 - 240 | 50 | 70 | 0.34 | 198 | 3 | 13810 | 6.8 |
| NORDIK EVOLUTION R 120/48" | 61755 | WOOD GRAIN | 220 - 240 | 50 | 70 | 0.34 | 198 | 3 | 13810 | 6.8 |
| | 61756 | BLACK | 220 - 240 | 50 | 70 | 0.34 | 198 | 3 | 13810 | 6.8 |
| | 61733 | WHITE GOLD | 220 - 240 | 50 | 70 | 0.34 | 198 | 3 | 13810 | 6.8 |
| NORDIK EVOLUTION R 140/56" | 61752 | WHITE | 220 - 240 | 50 | 70 | 0.35 | 197 | 3 | 16586 | 7.1 |
| | 61757 | SILVER | 220 - 240 | 50 | 70 | 0.35 | 197 | 3 | 16586 | 7.1 |
| | 61758 | WOOD GRAIN | 220 - 240 | 50 | 70 | 0.35 | 197 | 3 | 16586 | 7.1 |
| | 61759 | BLACK | 220 - 240 | 50 | 70 | 0.35 | 197 | 3 | 16586 | 7.1 |
| | 61734 | WHITE GOLD | 220 - 240 | 50 | 70 | 0.35 | 197 | 3 | 16586 | 7.1 |
| NORDIK EVOLUTION R 160/60" | 61753 | WHITE | 220 - 240 | 50 | 70 | 0.34 | 193 | 3 | 17011 | 7.6 |

NORDIK® EVOLUTION RANGE | TECHNICAL DATA FOR REGULATION N° 206/2012 UE

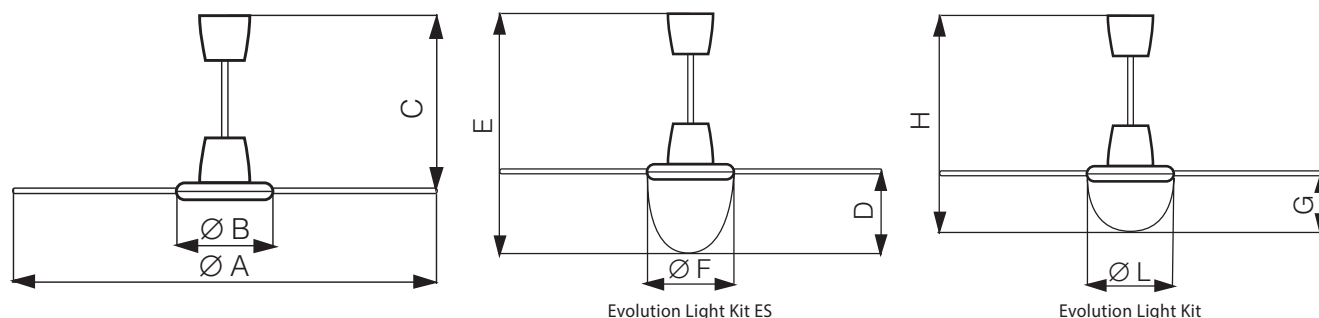
| | SYMBOL | UNIT OF MEASURE | NORDIK EVOLUTION 90/36" | NORDIK EVOLUTION 120/48" | NORDIK EVOLUTION 140/56" | NORDIK EVOLUTION 160/60" |
|---------------------------|--------|------------------------|-------------------------|---------------------------------------|---------------------------------------|--------------------------|
| CODE | | | 61750 | 61751 - 61754 - 61755 - 61756 - 61733 | 61752 - 61757 - 61758 - 61759 - 61734 | 61753 |
| Maximum fan air flow | F | m ³ /min | 193.20 | 230.17 | 276.43 | 283.52 |
| Fanpower input | P | W | 70 | 70 | 70 | 70 |
| Service value | SV | (m ³ /min)W | 2.760 | 3.288 | 3.949 | 4.050 |
| Standby power consumption | PSB | kW | - | - | - | - |
| Fan sound power level | LWA | dB(A) | 46.1 | 49.1 | 52.6 | 55.6 |
| Maximum air velocity | C | m/sec | 3.52 | 2.36 | 2.08 | 1.63 |

Measurement standard for service value

IEC 60879; EN62301: UNI EN ISO 3741

For more information refer to: Vortice Elettrosociali Spa, Strada Cerca, 2 - 20067 Zoate di Tribiano (MI) Italia

DIMENSIONS



| MODELS | CODE | ØA | ØB | C | ØD | E | ØF | G | H | ØL |
|----------------------------|---------------------------------------|------|-----|-----|-----|-----|-----|-----|-----|-----|
| NORDIK EVOLUTION R 90/36" | 61750 | 980 | 298 | 495 | 229 | 724 | 291 | 145 | 640 | 291 |
| NORDIK EVOLUTION R 120/48" | 61751 - 61754 - 61755 - 61756 - 61733 | 1284 | 298 | 495 | 229 | 724 | 291 | 145 | 640 | 291 |
| NORDIK EVOLUTION R 140/56" | 61752 - 61757 - 61758 - 61759 - 61734 | 1488 | 298 | 495 | 229 | 724 | 291 | 145 | 640 | 291 |
| NORDIK EVOLUTION R 160/60" | 61753 | 1590 | 298 | 495 | 229 | 724 | 291 | 145 | 640 | 291 |



NORDIK EVOLUTION RANGE
REVERSIBLE CEILING FANS

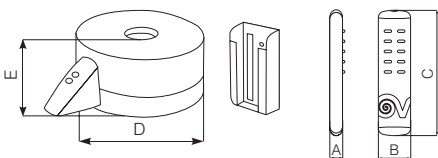
ACCESSORIES

TELENORDIK 5TR (code 22386)



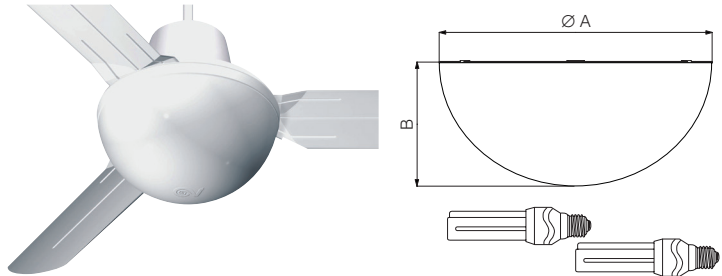
- New infrared remote control 5 speeds-timer-reverse
- The receiver is hidden inside the fan casing, with only the tip in which the sensor is located protruding.
- Uses infrared transmission to eliminate possible interference with radios or other electrical units.
- Set consists of a receiver, which is fitted to the fan ceiling rod, a transmitter, which sends the desired commands to the fan and a transmitter carrying case which can be fixed to the wall.
- Provided with LED indicators showing operation and "stand-by" status (power on).
- Remote-control range: approximately 13 meters line of sight.
- Fan and remote-control unit are both IMQ approved.
- Easy to install as connections between the fan and fixed speed regulator are not necessary.
- Transmitter can control any TeleNordik receiver.

| Remote control | - | infrared |
|------------------------|----|---------------|
| Receiver Volt at 50 Hz | Hz | 220-240 |
| Stand by | W | 0.558 |
| Maximum load Watt | W | 100 |
| Transmitter battery | - | 2 x AAA 1.5 V |
| Receiver | Kg | 0.76 |
| Transmitter | Kg | 0.06 |
| Insulation | - | Cl. II |



| Models | A | B | C | D | E |
|--------|----|----|-----|-----|----|
| 5TR | 20 | 43 | 155 | 154 | 62 |

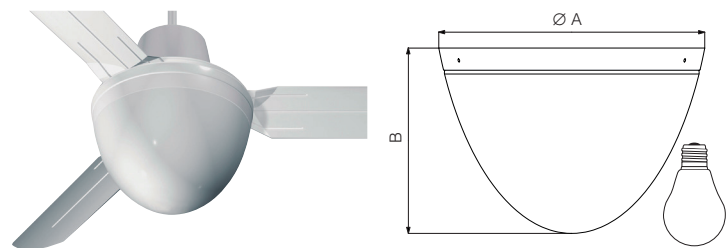
EVOLUTION LIGHT KIT ES (code 22414)



- Lighting system kit for all Nordik Evolution fans.
- Model for two energy saving lamps with Edison E27 fittings and maximum power output of 15 W each (equivalent to 75 W each).
- Diffuser globe made of strong laminated glass with opaque finish.
- Lamp max 15 W.
- Length=165 mm max.
- Not suitable for incandescent bulbs.

| Models | ØA | B | Kg |
|------------------------|-----|-----|-----|
| Evolution Light Kit ES | 291 | 120 | 1.0 |

EVOLUTION LIGHT KIT (code 22413)



- Lighting system kit for all Nordik Evolution fans.
- Model for one traditional incandescent bulb with Edison E27 fitting and maximum power output of 150 W.
- Diffuser made of opalescent laminated glass.

| Models | ØA | B | Kg |
|---------------------|-----|-----|-----|
| Evolution Light Kit | 291 | 203 | 1.6 |

KIT SCBRR5/5L/M BUILT-IN (cod. 22489)



- Kit to convert SCRR5 and SCRR5L position controllers from surface to flush-mounted.

SCRR/M (code 12965)



- Electronic reversible speed controller for use with up to 6 ceiling-mounted fans.
- Convertible to flush mounted using SCBRR5/5L/M.
- 220-240V ~ 50 Hz.
- Maximum load: 450W (2.5 A).
- Weight: 0.2 Kg.
- Double insulation.

SCRR5 (code 12963)



- 5-position reversible speed controller for ceiling-mounted fans without light.
- Convertible to flush-mounted using SCBRR5/5L/M.
- 220-240V ~ 50 Hz.
- Maximum load: 100W.
- Weight: 0.58 Kg.
- Double insulation.

SCRR5L (code 12964)



- 5-position reversible speed controller for ceiling-mounted fans with light.
- Convertible to flush-mounted using SCBRR5/5L/M.
- 220-240V ~ 50 Hz.
- Maximum load: 250W.
- Weight: 0.58 Kg.
- Double insulation.

ACCESSORIES

FLUSH OR WALL MOUNTED CONTROLS

SC 503 B (cod. 12801)



SC 503 N (cod. 12802)



SC EXT B (cod. 12803)



Thanks to their simple innovative design, these units more than meet the aesthetics expected of them for both domestic and commercial applications. Backing plate, knob, sliders and adapters made from polycarbonate; face plate and controller for wall mounting made from UV-resistant ABS. On the white and anthracite grey flush mounted versions, the knob and face plate are in matching colours. Both the flush and wall mounted version come with:

- knob with settings from 0 to 5 for various speeds (0 = OFF, 1- 5 = fan speed);
- a LED that shows when the fan is ON.
- two slider switches - one for the light and the other to reverse the fan (where applicable).
- Vortice ceiling fan controls are IMQ approved solely and exclusively for use with Vortice ceiling fans.

AVAILABLE OPTIONAL ANCILLARIES



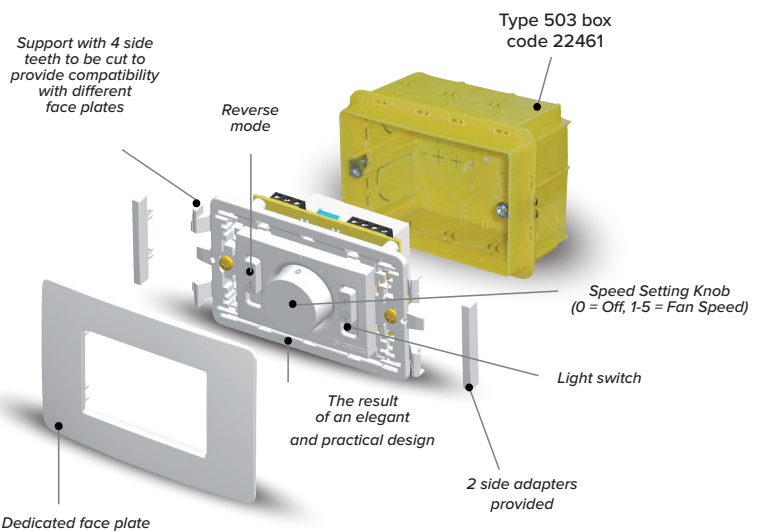
Anthracite grey face plate
code 22463



White face plate
code 22462



Recessed versions, thanks to an intermediate adjustable support, can be coupled with various existing standard face plates, satisfying diverse aesthetic requirements.



Power supply voltage (V): 220 - 240
Power supply frequency (Hz): 50
Max power consumption (W): 18

NORDIK EVOLUTION RANGE

REVERSIBLE CEILING FANS

ACCESSORIES

MULTIPLE SPEED CONTROLLER

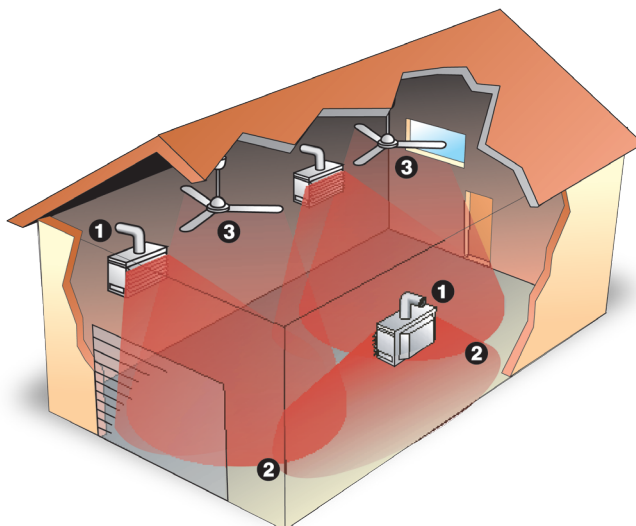


VORT DELTA T (Code 13039) MULTIPLE SPEED CONTROLLER UP TO 16 CEILING FANS

The intelligent control system. Simply clever: Intelligent management ensures optimal, draughtfree operation Vort Delta T - the heart of the System.

- The new, intelligent control unit Vort Delta T is equipped with two semiconductor temperature sensors (included in the package), installed respectively at ceiling and floor level.
- Electrical power is with a normal two-phase cable, of up to 50 metres in length.
- The control unit registers the temperature at ceiling and floor level up to 60 times per minute, calculates the temperature differential and in accordance with this, regulates the operating speed of the fans. When the heat layer has been dissipated and the temperature differential has been reduced to an acceptable level, the Vort Delta T automatically switches the fans off.
- The minimal temperature differential, at which level the unit is activated, is adjustable, as are the lower and higher rotational fan speeds so as to avoid draughts. This also applies to permanent operation (e.g. during summer for cooling).
- This fully automatic control system governs the system optimally, without necessitating adjustment by the users. In this manner, unauthorised meddling with the system is impossible.

- The commercial building has a warm air heating system.
- With the aid of adjustable laminar blades, the warm air is directed downwards in the recreation or working area.
- Due to the fact that warm air has a lower specific weight than cold air, the warm air rises to ceiling height and accumulates there. The sensor controls registers the increasing temperature difference between the floor and ceiling. The Nordik fans are controlled so that the warm air from the ceiling is conducted back into the recreating or working area without causing a draught. As soon as the temperature difference between the ground and ceiling areas is in equilibrium, the Vort Delta T system automatically switches the fans off.



CEILING RODS

Various lengths to enable installation at desired height.



WHITE

Asta NK | 200 mm (code 22032)
Asta NK | 250 mm (code 22033)
Asta NK | 350 mm (code 22042)
Asta NK | 500 mm (code 22051)
Asta NK | 750 mm (code 22074)
Asta NK | 1000 mm (code 22077)



SILVER

Asta NK | 200 mm (code 22023)
Asta NK | 250 mm (code 22024)
Asta NK | 350 mm (code 22026)
Asta NK | 500 mm (code 22027)
Asta NK | 750 mm (code 22028)
Asta NK | 1000 mm (code 22029)



BLACK

Asta NK | 275 mm (code 22036)
Asta NK | 375 mm (code 22037)
Asta NK | 520 mm (code 22038)
Asta NK | 775 mm (code 22039)
Asta NK | 1025 mm (code 22043)



WOOD-GRAIN

Asta NK | 200 mm (code 22079)
Asta NK | 275 mm (code 22047)
Asta NK | 350 mm (code 22058)
Asta NK | 500 mm (code 22092)
Asta NK | 750 mm (code 22064)
Asta NK | 1000 mm (code 22071)



WHITE GOLD

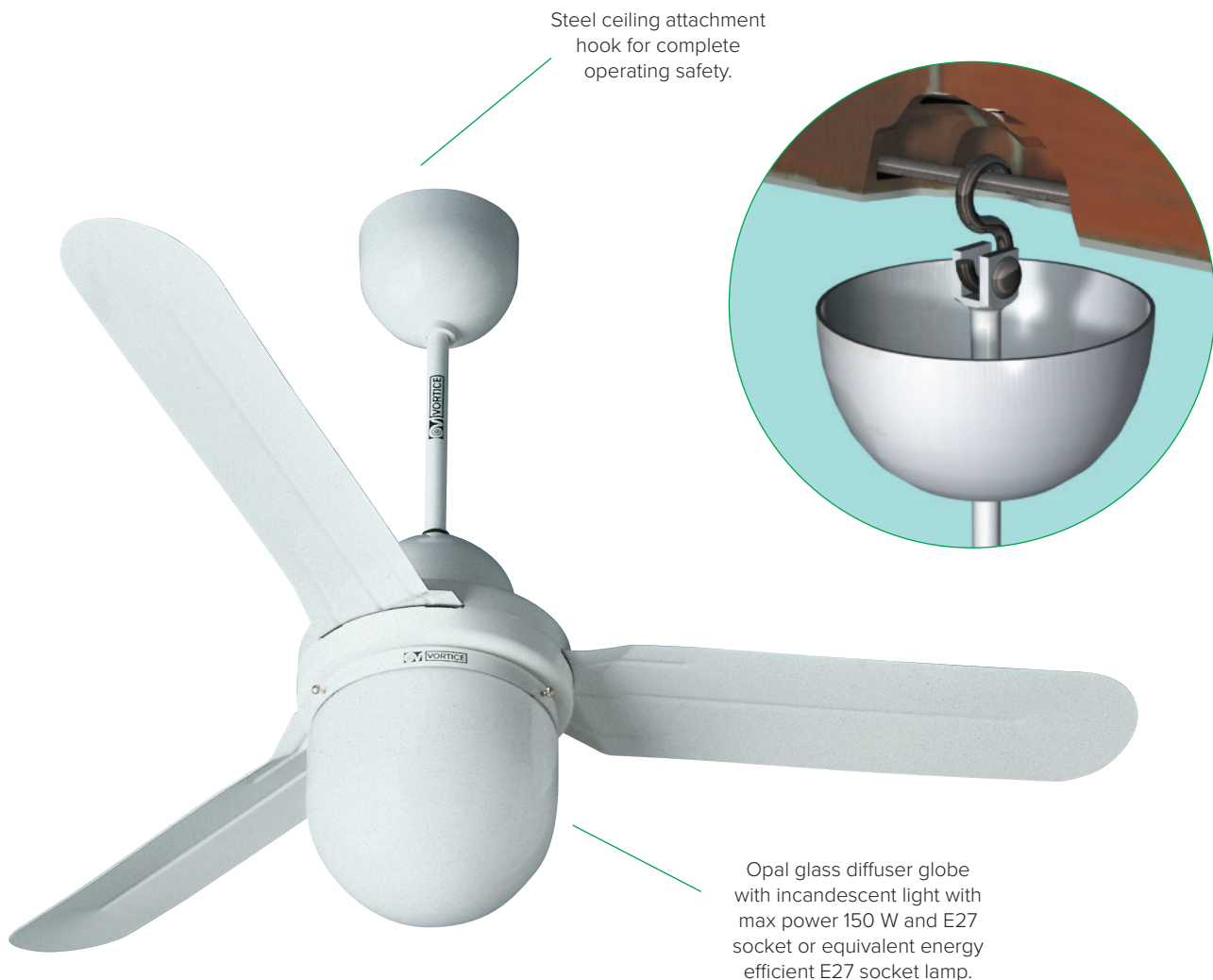
Asta NK | 200 mm (code 22681)
Asta NK | 250 mm (code 22682)
Asta NK | 350 mm (code 22683)
Asta NK | 500 mm (code 22684)
Asta NK | 750 mm (code 22685)
Asta NK | 1000 mm (code 22686)

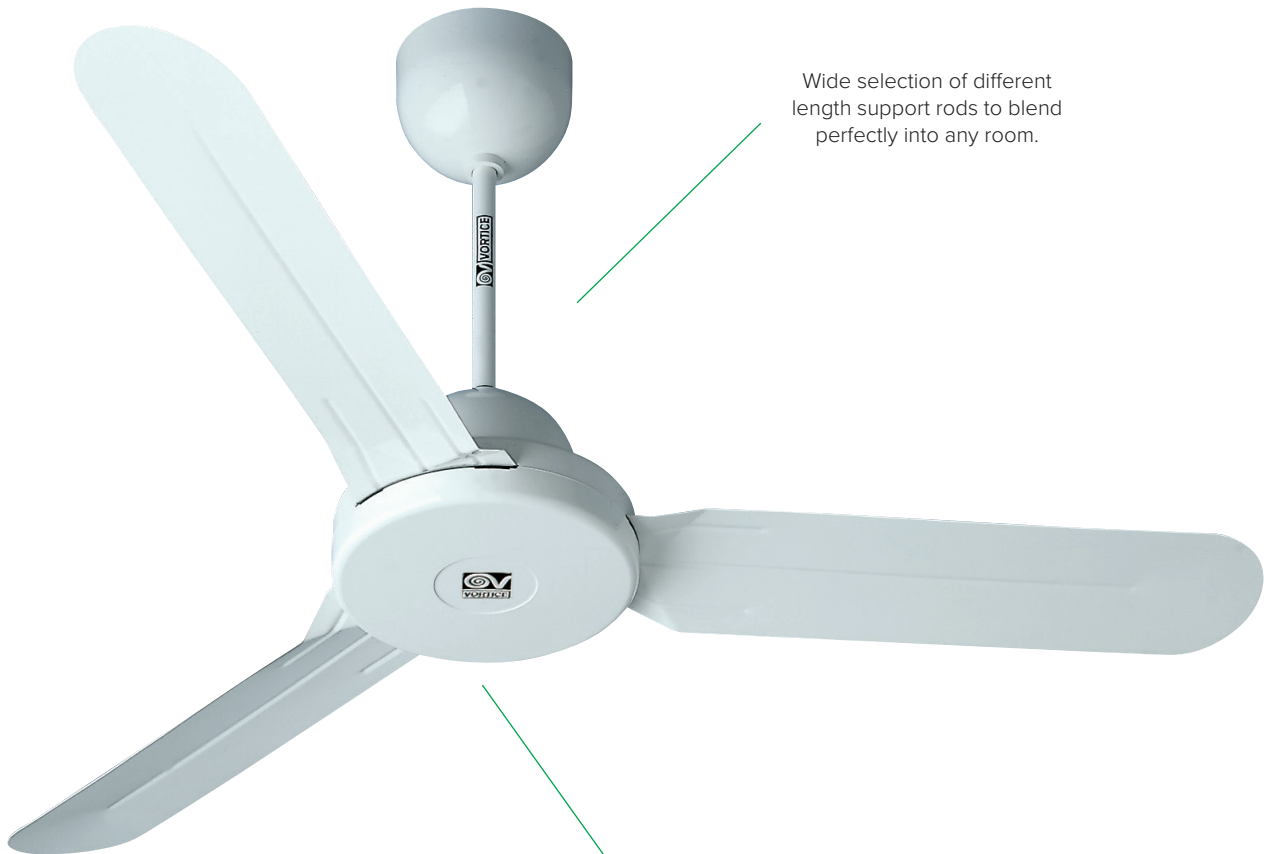


NORDIK® DESIGN 1S/1SL RANGE

Ideal for use in bedrooms, living rooms, shops, stores and other public places.

- Top and bottom motor covers moulded from heat-resistant and UV-resistant thermoplastic resin (ABS), colour white.
- Wiring connections at end of ceiling rod concealed by domes moulded from impact- and UV-resistant PP, colour white.
- Nominal diameter of blades 900, 1200, 1400 and 1600 mm.
- Single phase start capacitor motor with external rotor, and shaft turning in ball bearings.
- Maximum air flow: 14000 m³/h.
- 3 sheet steel blades powder coated with scratch-resistant polyester, colour white.
- Steel ceiling rod with polyester powder coated finish, colour white, length 375 mm.
- Bag of accessories containing nuts and bolts required for assembly of blades, ceiling hook and rubber anti-vibration washer.
- Speed selectable by way of control units or Telenordik 5T remote control (optional).
- Insulation class: Cl.I ⊕





Wide selection of different length support rods to blend perfectly into any room.

Metal parts coated with long-lasting pigments and clear, scratch resistant lacquer

NORDIK DESIGN 1S/1SL RANGE

REVERSIBLE CEILING FANS WITH OR WITHOUT LIGHT

TECHNICAL DATA

| MODELS | CODE | COLOR | V | HZ | W | A | RPM | NR. BLADE | MAX AIRFLOW m ³ /h | Kg |
|----------------------------|-------|-------|-----------|----|-----|-------|-----|-----------|----------------------------------|-----|
| NORDIK DESIGN 1S 90/36" | 61160 | WHITE | 220 - 240 | 50 | 70 | 0.32 | 235 | 3 | 8730 | 5.0 |
| NORDIK DESIGN 1S/L 90/36" | 61001 | WHITE | 220 - 240 | 50 | 175 | 0.725 | 235 | 3 | 8730 | 6.3 |
| NORDIK DESIGN 1S 120/48" | 61260 | WHITE | 220 - 240 | 50 | 70 | 0.33 | 205 | 3 | 11820 | 5.5 |
| NORDIK DESIGN 1S/L 120/48" | 61101 | WHITE | 220 - 240 | 50 | 175 | 0.725 | 205 | 3 | 11820 | 6.5 |
| NORDIK DESIGN 1S 140/58" | 61360 | WHITE | 220 - 240 | 50 | 70 | 0.33 | 215 | 3 | 13680 | 5.6 |
| NORDIK DESIGN 1S/L 140/58" | 61301 | WHITE | 220 - 240 | 50 | 175 | 0.725 | 215 | 3 | 13680 | 6.7 |
| NORDIK DESIGN 1S 160/60" | 61460 | WHITE | 220 - 240 | 50 | 70 | 0.34 | 215 | 3 | 14000 | 6.6 |
| NORDIK DESIGN 1S/L 160/60" | 61401 | WHITE | 220 - 240 | 50 | 175 | 0.725 | 215 | 3 | 14000 | 7.7 |

NORDIK® DESING 1S/1SL RANGE | TECHNICAL DATA FOR REGULATION N° 206/2012 UE

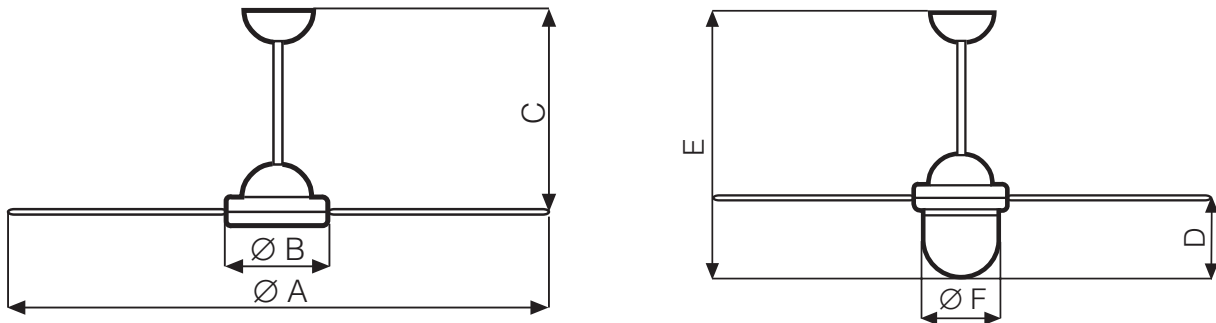
| | SYMBOL | UNIT OF MEASURE | NORDIK DECOR 1S/1SL 90/36" | NORDIK DECOR 1S/1SL 120/48" | NORDIK DECOR 1S/1SL 140/56" | NORDIK DECOR 1S/1SL 160/60" |
|---------------------------|--------|------------------------|-------------------------------|--------------------------------|--------------------------------|--------------------------------|
| CODE | | | 61160 - 61001 | 61260 - 61101 | 61360 - 61301 | 61460 - 61401 |
| Maximun fan air flow | F | m ³ /min | 145.50 | 197.00 | 2248.00 | 233.33 |
| Fanpower input | P | W | 70 | 70 | 70 | 175 |
| Service value | SV | (m ³ /min)W | 2.079 | 2.841 | 3.257 | 1.061 |
| Standby power consumption | PSB | kW | - | - | - | - |
| Fan sound power level | LWA | dB(A) | 44.9 | 49.1 | 52.1 | 55.5 |
| Maximum air velocity | C | m/sec | 2.65 | 2.02 | 1.72 | 1.34 |

Measurement standard for service value

IEC 60879; EN62301: UNI EN ISO 3741

For more information refer to: Vortice Elettrosociali Spa, Strada Cerca, 2 - 20067 Zoate di Tribiano (MI) Italia

DIMENSIONS



| MODELS | CODE | ØA | ØB | C | D | E | ØF |
|----------------------------|-------|------|-----|-----|-----|-----|-----|
| NORDIK DESIGN 1S 90/36" | 61160 | 914 | 230 | 495 | - | - | - |
| NORDIK DESIGN 1S/L 90/36" | 61001 | 1218 | 230 | 495 | - | - | - |
| NORDIK DESIGN 1S 120/48" | 61260 | 1422 | 230 | 495 | - | - | - |
| NORDIK DESIGN 1S/L 120/48" | 61101 | 1524 | 230 | 495 | - | - | - |
| NORDIK DESIGN 1S 140/58" | 61360 | 914 | 230 | 495 | 190 | 685 | 208 |
| NORDIK DESIGN 1S/L 140/58" | 61301 | 1218 | 230 | 495 | 190 | 685 | 208 |
| NORDIK DESIGN 1S 160/60" | 61460 | 1422 | 230 | 495 | 190 | 685 | 208 |
| NORDIK DESIGN 1S/L 160/60" | 61401 | 1524 | 230 | 495 | 190 | 685 | 208 |



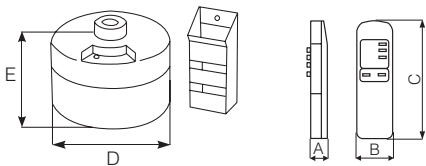
ACCESSORIES

TELENORDIK 5T (code 22387)



- Suitable for fans with or without light.
- 5 selectable speeds, as well as fan and light on/off switch.
- "Timer" button to set fan turn-on and turn-off times (approx. 1 hour interval).
- Uses infrared transmission to eliminate possible interference with radios or other electrical units.
- Set consists of a receiver, which is fitted to the fan ceiling rod, a transmitter, which sends the desired commands to the fan and a transmitter carrying case which can be fixed to the wall.
- Provided with LED indicators showing operation and "stand-by" status (power on).
- Remote-control range: approximately 13 meters line of sight.
- Fan and remote-control unit are both IMQ approved.
- Easy to install as connections between the fan and fixed speed regulator are not necessary.
- Transmitter can control any TeleNordik receiver.

| | | |
|------------------------|----|---------------|
| Remote control | - | infra red |
| Receiver Volt at 50 Hz | Hz | 220-240 |
| Stand by | W | 0.463 |
| Maximum load Watt | W | 100 |
| Transmitter battery | - | 2 x AAA 1.5 V |
| Receiver | Kg | 0.76 |
| Transmitter | Kg | 0.06 |
| Insulation | - | Cl. II |



| Models | A | B | C | D | E |
|--------|----|----|-----|-----|----|
| 5T | 22 | 42 | 150 | 140 | 90 |

SCNR5 (code 12955)



- 5 position speed controller for ceiling-mounted fans without light.
- Convertible to flush-mounted using SCB5 Kit.
- 220-240V ~ 50 Hz.
- Maximum load: 100W.
- Weight: 0.58 Kg.w
- Double insulation.

SCNRL5 (code 12957)



- 5 position speed controller for ceiling-mounted fans with light.
- Convertible to flush-mounted using SCB5 Kit.
- 220-240V ~ 50 Hz.
- Maximum load: 250W.
- Weight: 0.58 Kg.
- Double insulation.

SCNR/M (code 12982)



- Electronic speed controller for use with up to 6 ceiling-mounted fans.
- Convertible to flush-mounted.
- 220-240V ~ 50 Hz.
- Maximum load: 450W (2.5 A).
- Weight: 0.2 Kg.
- Double insulation.

C 2.5 (code 12967)



- Electronic speed controller for use with up to 6 ceiling-mounted fans.
- Convertible to flush-mounted using SCB5 Kit.
- 220-240V ~ 50 Hz.
- Maximum load: 450W (2.5 A).
- Weight: 0.2 Kg.
- Double insulation.

KIT SCB (code 22481)



- Kit to convert C 2.5 electronic speed controller from surface to flush mounted.

KIT SCB5 (code 22483)



- Kit to convert SCNR5 and SCNRL5 5 position controllers from surface to flush mounted.

CEILING RODS

Various lengths to enable installation at desired height.



WHITE

- Asta NK 200 mm (code 22030)
- Asta NK 275 mm (code 22034)
- Asta NK 350 mm (code 22040)
- Asta NK 500 mm (code 22052)
- Asta NK 750 mm (code 22072)
- Asta NK 1000 mm (code 22075)

ACCESSORIES

FLUSH OR WALL MOUNTED CONTROLS

SC 503 B (cod. 12801)



SC 503 N (cod. 12802)



SC EXT B (cod. 12803)



Thanks to their simple innovative design, these units more than meet the aesthetics expected of them for both domestic and commercial applications. Backing plate, knob, sliders and adapters made from polycarbonate; face plate and controller for wall mounting made from UV-resistant ABS. On the white and anthracite grey flush mounted versions, the knob and face plate are in matching colours. Both the flush and wall mounted version come with:

- knob with settings from 0 to 5 for various speeds (0 = OFF, 1- 5 = fan speed);
- a LED that shows when the fan is ON.
- two slider switches - one for the light and the other to reverse the fan (where applicable).
- Vortice ceiling fan controls are IMQ approved solely and exclusively for use with Vortice ceiling fans.

AVAILABLE OPTIONAL ANCILLARIES



Anthracite grey face plate
code 22463



White face plate
code 22462



Recessed versions, thanks to an intermediate adjustable support, can be coupled with various existing standard face plates, satisfying diverse aesthetic requirements.

Support with 4 side teeth to be cut to provide compatibility with different face plates

Reverse mode

Type 503 box
code 22461

*Speed Setting Knob
(0 = Off, 1-5 = Fan Speed)*

Light switch

*The result
of an elegant
and practical design*

*2 side adapters
provided*

Dedicated face plate

Power supply voltage (V): 220 - 240
Power supply frequency (Hz): 50
Max power consumption (W): 18

NORDIK® INTERNATIONAL PLUS RANGE

Ideal for use in bedrooms, living rooms, shops, stores and other public places.

- Nominal diameter of blades 900, 1200, 1400 and 1600 mm.
- Top and bottom motor covers moulded from heat-resistant and UV-resistant thermoplastic resin (ABS), colour white.
- Wiring connections at end of ceiling rod concealed by domes moulded from impact- and UV-resistant PP, colour white.
- Single phase start capacitor motor with external rotor, and shaft turning in ball bearings. Direction of rotation reversible.
- Maximum air flow: 14000 m³/h.
- 3 sheet steel blades powder coated with scratch-resistant polyester, colour white.
- Steel ceiling rod with polyester powder coated finish, colour white, length 375 mm.
- Bag of accessories containing nuts and bolts required for assembly of blades, ceiling hook and rubber anti-vibration washer.
- Factory-prepared to accept Light Kit (optional), suitable for lamp rated 150W. max with E27 screw fitting, or equivalent energy-saving lamp with E27 screw fitting.
- Speed selectable by way of control units (optional).
- Insulation class: Cl.I ⊕.



Steel ceiling attachment
hook for complete
operating safety

Wide selection of different
length support rods to blend
perfectly into any room.

Metal parts coated
with long-lasting pigments
and clear, scratch
resistant lacquer



NORDIK INTERNATIONAL PLUS RANGE

CEILING FANS IPX5

TECHNICAL DATA

| MODELS | CODE | COLOR | V | HZ | W | A | RPM | NR. BLADE | MAX AIRFLOW m ³ /h | Kg |
|-----------------------------------|-------|-------|-----------|----|----|------|-----|-----------|----------------------------------|-----|
| NORDIK INTERNATIONAL PLUS 90/36" | 61701 | WHITE | 220 - 240 | 50 | 70 | 0.32 | 231 | 3 | 8550 | 5.5 |
| NORDIK INTERNATIONAL PLUS 120/48" | 61711 | WHITE | 220 - 240 | 50 | 70 | 0.32 | 234 | 3 | 9900 | 5.9 |
| NORDIK INTERNATIONAL PLUS 140/56" | 61721 | WHITE | 220 - 240 | 50 | 70 | 0.32 | 231 | 3 | 13500 | 6.2 |
| NORDIK INTERNATIONAL PLUS 160/60" | 61731 | WHITE | 220 - 240 | 50 | 70 | 0.32 | 201 | 3 | 14000 | 6.7 |

NORDIK® INTERNATIONAL PLUS RANGE | TECHNICAL DATA FOR REGULATION N° 206/2012 UE

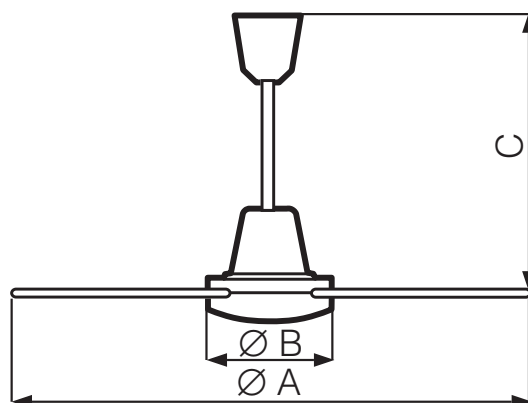
| | SYMBOL | UNIT OF MEASURE | PLUS 90/36" | PLUS 120/48" | PLUS 140/56" | PLUS 160/60" |
|---------------------------|--------|------------------------|-------------|--------------|--------------|--------------|
| CODE | | | 61701 | 61711 | 61721 | 61731 |
| Maximun fan air flow | F | m ³ /min | 142.50 | 165.00 | 225.00 | 233.33 |
| Fanpower input | P | W | 70 | 70 | 70 | 70 |
| Service value | SV | (m ³ /min)W | 2.036 | 2.357 | 3.214 | 3.333 |
| Standby power consumption | PSB | kW | - | - | - | - |
| Fan sound power level | LWA | dB(A) | 46.1 | 49.1 | 52.6 | 55.6 |
| Maximum air velocity | C | m/sec | 2.59 | 1.68 | 1.69 | 2.28 |

Measurement standard for service value

IEC 60879; EN62301; UNI EN ISO 3741

For more information refer to: Vortice Elettrosociali Spa, Strada Cerca, 2 - 20067 Zoate di Tribiano (MI) Italia

DIMENSIONS



| MODELS | CODE | ØA | ØB | C |
|-----------------------------------|-------|------|-----|-----|
| NORDIK INTERNATIONAL PLUS 90/36" | 61701 | 914 | 230 | 495 |
| NORDIK INTERNATIONAL PLUS 120/48" | 61711 | 1218 | 230 | 495 |
| NORDIK INTERNATIONAL PLUS 140/56" | 61721 | 1422 | 230 | 495 |
| NORDIK INTERNATIONAL PLUS 160/60" | 61731 | 1524 | 230 | 495 |

Dimensions (mm)



ACCESSORIES

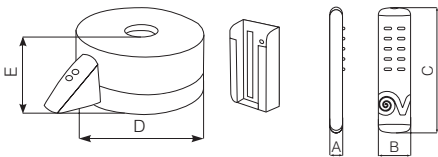
TELENORDIK 5TR (code 22386)



- New infrared remote control 5 speeds-timer-reverse
- The receiver is hidden inside the fan casing, with only the tip in which the sensor is located protruding.
- It uses infrared transmission to eliminate possible interference with radios or other electrical units.
- Set consists of a receiver, which is fitted to the fan ceiling rod, a transmitter, which sends the desired commands to the fan and a transmitter carrying case which can be fixed to the wall.
- Provided with LED indicators showing operation and "stand-by" status (power on).
- Remote-control range: approximately 13 meters line of sight.
- Fan and remote-control unit are both IMQ approved.
- Easy to install as connections between the fan and fixed speed regulator are not necessary.
- Transmitter can control any TeleNordik receiver.

| Remote control | - | infrared |
|------------------------|----|---------------|
| Receiver Volt at 50 Hz | Hz | 220-240 |
| Stand by | W | 0.558 |
| Maximum load Watt | W | 100 |
| Transmitter battery | - | 2 x AAA 1.5 V |
| Receiver | Kg | 0.76 |
| Transmitter | Kg | 0.06 |

Insulation - Cl. II



| Models | A | B | C | D | E |
|--------|----|----|-----|-----|----|
| 5TR | 20 | 43 | 155 | 154 | 62 |

CEILING RODS

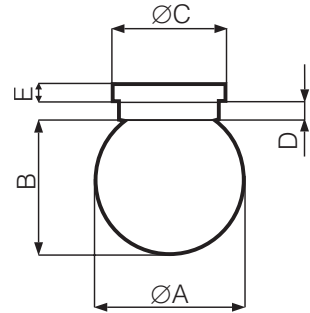
Various lengths to enable installation at desired height.



WHITE

- Asta NK I 200 mm (code 22632)
- Asta NK I 250 mm (code 22633)
- Asta NK I 350 mm (code 22642)
- Asta NK I 500 mm (code 22651)
- Asta NK I 750 mm (code 22674)
- Asta NK I 1000 mm (code 22677)

PLUS LIGHT KIT (code 22415)



- Kit for all the Nordik International Plus models.
- Lamp: max 150 W with E27 fitting.

| Models | ØA | B | ØC | D | E | Kg |
|-----------------|-----|-----|-----|----|----|-----|
| Decor Light Kit | 200 | 180 | 130 | 35 | 20 | 1.8 |

SCNR5 (code 12955)



- 5 position speed controller for ceiling-mounted fans without light.
- Convertible to flush-mounted using SCB5 Kit.
- 220-240V ~ 50 Hz.
- Maximum load: 100W.
- Weight: 0.58 Kg.w
- Double insulation.

SCNRL5 (code 12957)



- 5 position speed controller for ceiling-mounted fans with light.
- Convertible to flush-mounted using SCB5 Kit.
- 220-240V ~ 50 Hz.
- Maximum load: 250W.
- Weight: 0.58 Kg.
- Double insulation.

SCNR/M (code 12982)



- Electronic speed controller for use with up to 6 ceiling-mounted fans.
- Convertible to flush-mounted.
- 220-240V ~ 50 Hz.
- Maximum load: 450W (2.5 A).
- Weight: 0.2 Kg.
- Double insulation.

C 2.5 (code 12967)



- Electronic speed controller for use with up to 6 ceiling-mounted fans.
- Convertible to flush-mounted using SCB5 Kit.
- 220-240V ~ 50 Hz.
- Maximum load: 450W (2.5 A).
- Weight: 0.2 Kg.
- Double insulation.

KIT SCB5 (code 22483)



- Kit to convert SCNR5 and SCNRL5 5 position controllers from surface to flush mounted.

KIT SCB (code 22481)



- Kit to convert C 2.5 electronic speed controller from surface to flush mounted.

ACCESSORIES

FLUSH OR WALL MOUNTED CONTROLS

SC 503 B (cod. 12801)



SC 503 N (cod. 12802)



SC EXT B (cod. 12803)



Thanks to their simple innovative design, these units more than meet the aesthetics expected of them for both domestic and commercial applications. Backing plate, knob, sliders and adapters made from polycarbonate; face plate and controller for wall mounting made from UV-resistant ABS. On the white and anthracite grey flush mounted versions, the knob and face plate are in matching colours. Both the flush and wall mounted version come with:

- knob with settings from 0 to 5 for various speeds (0 = OFF, 1- 5 = fan speed);
- a LED that shows when the fan is ON.
- two slider switches - one for the light and the other to reverse the fan (where applicable).
- Vortice ceiling fan controls are IMQ approved solely and exclusively for use with Vortice ceiling fans.

AVAILABLE OPTIONAL ANCILLARIES



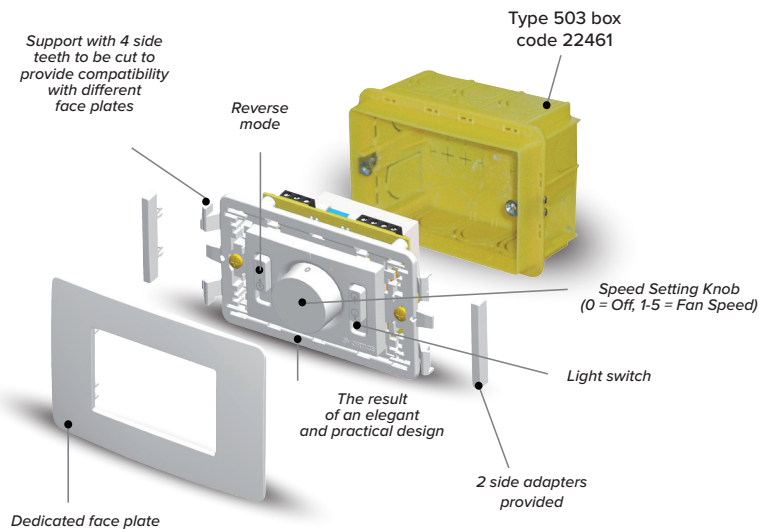
Anthracite grey face plate
code 22463



White face plate
code 22462



Recessed versions, thanks to an intermediate adjustable support, can be coupled with various existing standard face plates, satisfying diverse aesthetic requirements.

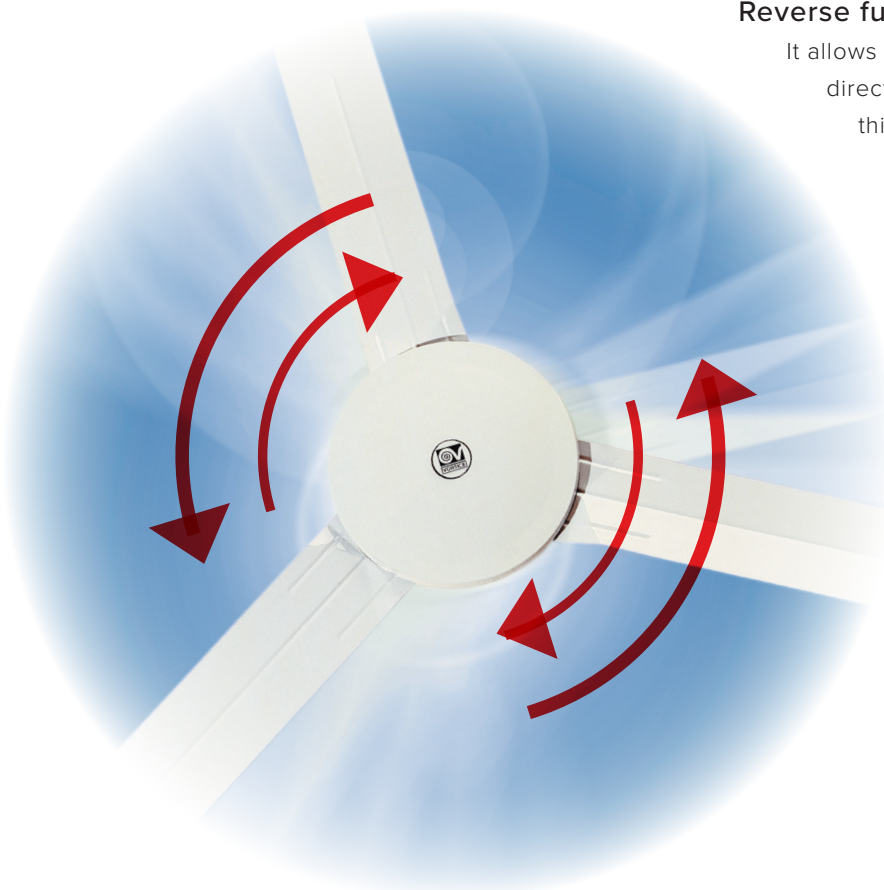


Power supply voltage (V): 220 - 240
Power supply frequency (Hz): 50
Max power consumption (W): 18

NORDIK® INTERNATIONAL PLUS R RANGE

Reversible ceiling-mounted fans with 3 blades, ideal for use in the presence of high relative humidity and splashes of water typical of contexts such as process industries, livestock farms, greenhouses, etc.

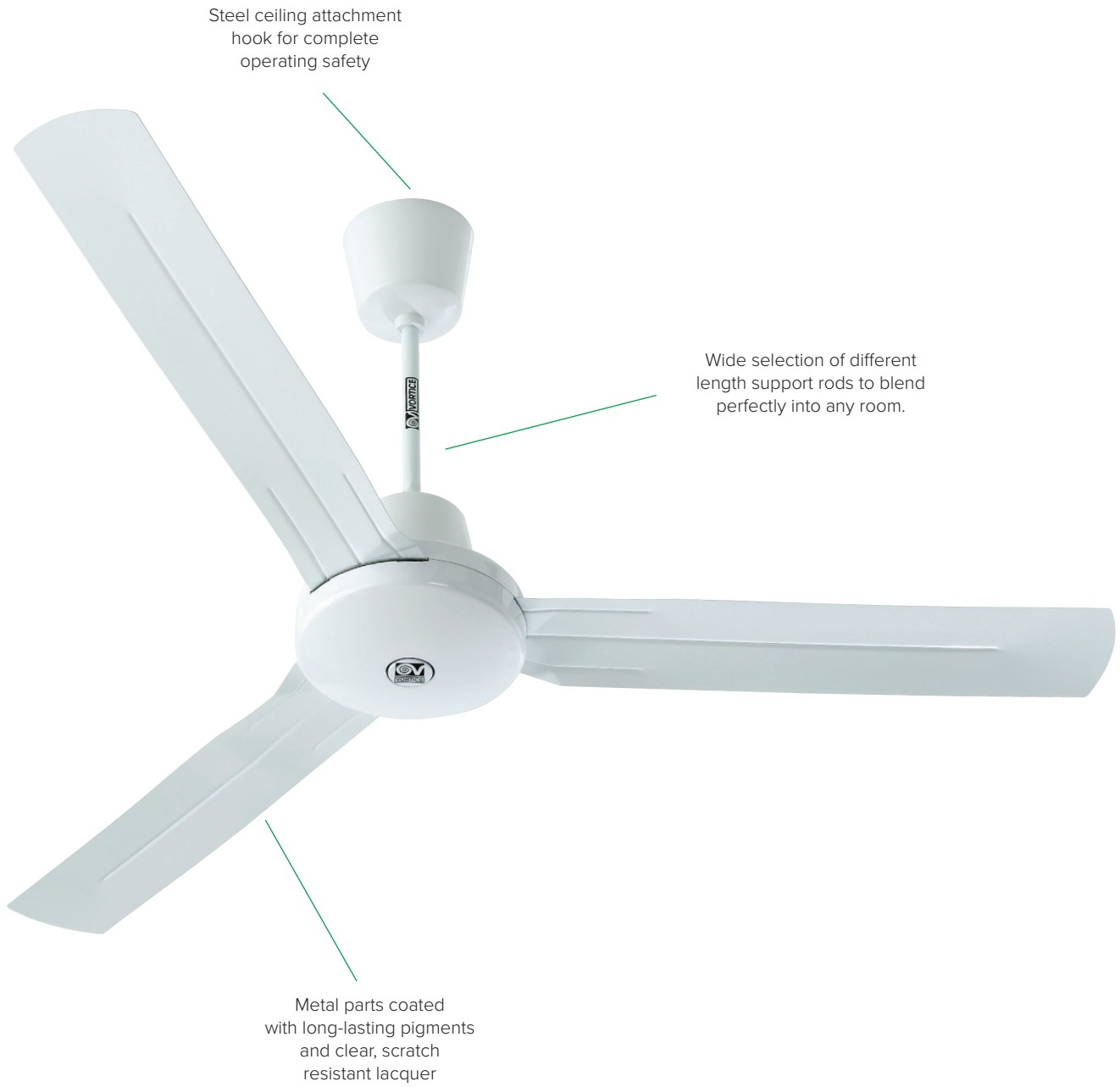
- Nominal diameter of blades 1400 mm.
- Top and bottom motor covers moulded from heat-resistant and UV-resistant thermoplastic resin (ABS), colour white.
- Wiring connections at end of ceiling rod concealed by domes moulded from impact- and UV-resistant PP, colour white.
- Single phase start capacitor motor with external rotor, and shaft turning in ball bearings. Direction of rotation reversible.
- Maximum air flow: 13.500 m³/h.
- 3 galvanized sheet steel blades powder coated with scratch-resistant polyester, colour white.
- Steel ceiling rod with polyester powder coated finish, colour white, length 375 mm.
- Bag of accessories containing nuts and bolts required for assembly of blades, ceiling hook and rubber anti-vibration washer.
- Speed selectable by way of control units (optional)
- Enclosure rating IPX5 ensuring complete protection from water spray.
- Insulation class: Cl.I ⊕.



Reverse function

It allows to reverse the air flow direction from floor to ceiling: this means that the flow is no longer direct, but wider and more all-round. It also helps reducing the difference in temperature between the floor (where the temperature is lower) and the ceiling (where it is winter time).





NORDIK INTERNATIONAL PLUS-R RANGE

REVERSIBLE CEILING FANS IPX5

TECHNICAL DATA

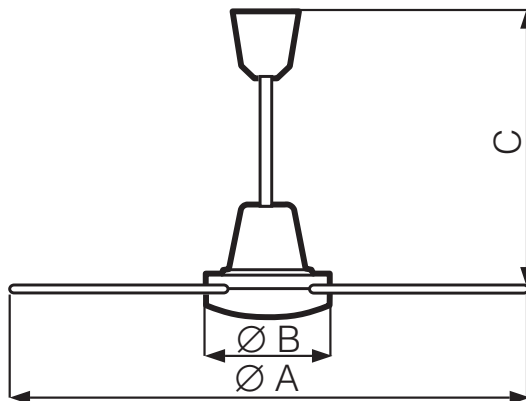
| MODELS | CODE | COLOR | V | HZ | W | A | RPM | NR. BLADE | MAX AIRFLOW m ³ /h | Kg |
|--|-------|-------|-----------|----|----|------|-----|-----------|----------------------------------|-----|
| NORDIK INTERNATIONAL PLUS-R 140/56" IPX5 | 61742 | WHITE | 220 - 240 | 50 | 70 | 0.33 | 231 | 3 | 13500 | 6.2 |

NORDIK® INTERNATIONAL PLUS-R | TECHNICAL DATA FOR REGULATION N° 206/2012 UE

| | SYMBOL | UNIT OF MEASURE | PLUS 140/56" IPX5 |
|--|-------------------------------------|------------------------|-------------------|
| | CODE | | 61742 |
| Maximum fan air flow | F | m ³ /min | 225.00 |
| Fanpower input | P | W | 70 |
| Service value | SV | (m ³ /min)W | 3.214 |
| Standby power consumption | PSB | kW | - |
| Fan sound power level | LWA | dB(A) | 52.1 |
| Maximum air velocity | C | m/sec | 1.69 |
| Measurement standard for service value | IEC 60879; EN62301: UNI EN ISO 3741 | | |

For more information refer to: Vortice Elettrosociali Spa, Strada Cerca, 2 - 20067 Zoate di Tribiano (MI) Italia

DIMENSIONS



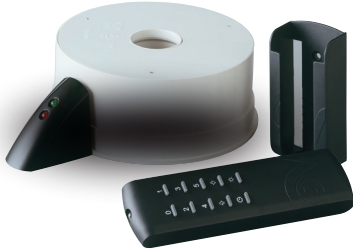
| MODELS | CODE | ØA | ØB | C |
|--|-------|------|-----|-----|
| NORDIK INTERNATIONAL PLUS-R 140/56" IPX5 | 61742 | 1422 | 230 | 495 |

Dimensions (mm)



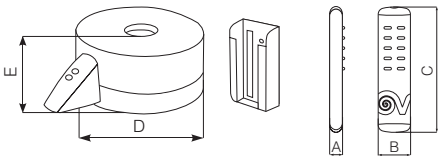
ACCESSORIES

TELENORDIK 5TR (code 22386)



- New infrared remote control 5 speeds-timer-reverse
- The receiver is hidden inside the fan casing, with only the tip in which the sensor is located protruding.
- Uses infrared transmission to eliminate possible interference with radios or other electrical units.
- Set consists of a receiver, which is fitted to the fan ceiling rod, a transmitter, which sends the desired commands to the fan and a transmitter carrying case which can be fixed to the wall.
- Provided with LED indicators showing operation and "stand-by" status (power on).
- Remote-control range: approximately 13 meters line of sight.
- Fan and remote-control unit are both IMQ approved.
- Easy to install as connections between the fan and fixed speed regulator are not necessary.
- Transmitter can control any TeleNordik receiver.

| Remote control | - | infrared |
|------------------------|----|---------------|
| Receiver Volt at 50 Hz | Hz | 220-240 |
| Stand by | W | 0.558 |
| Maximum load Watt | W | 100 |
| Transmitter battery | - | 2 x AAA 1.5 V |
| Receiver | Kg | 0.76 |
| Transmitter | Kg | 0.06 |
| Insulation | - | Cl. II |



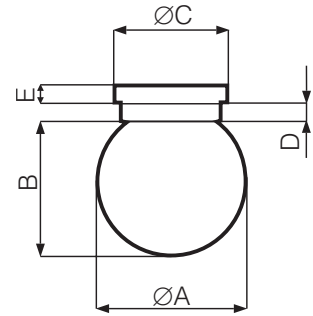
| Models | A | B | C | D | E |
|--------|----|----|-----|-----|----|
| 5TR | 20 | 43 | 155 | 154 | 62 |

CEILING RODS
Various lengths to enable installation at desired height.



- WHITE**
- Asta NK I 200 mm (code 22632)
 - Asta NK I 250 mm (code 22633)
 - Asta NK I 350 mm (code 22642)
 - Asta NK I 500 mm (code 22651)
 - Asta NK I 750 mm (code 22674)
 - Asta NK I 1000 mm (code 22677)

PLUS LIGHT KIT (code 22415)



- Kit for all the Nordik International Plus models.
- Lamp: max 150 W with E27 fitting.

| Models | ØA | B | ØC | D | E | Kg |
|-----------------|-----|-----|-----|----|----|-----|
| Decor Light Kit | 200 | 180 | 130 | 35 | 20 | 1.8 |

SCNR5 (code 12955)



- 5 position speed controller for ceiling-mounted fans without light.
- Convertible to flush-mounted using SCB5 Kit.
- 220-240V ~ 50 Hz.
- Maximum load: 100W.
- Weight: 0.58 Kg.w
- Double insulation.

SCNRL5 (code 12957)



- 5 position speed controller for ceiling-mounted fans with light.
- Convertible to flush-mounted using SCB5 Kit.
- 220-240V ~ 50 Hz.
- Maximum load: 250W.
- Weight: 0.58 Kg.
- Double insulation.

SCNR/M (code 12982)



- Electronic speed controller for use with up to 6 ceiling-mounted fans.
- Convertible to flush-mounted.
- 220-240V ~ 50 Hz.
- Maximum load: 450W (2.5 A).
- Weight: 0.2 Kg.
- Double insulation.

C 2.5 (code 12967)



- Electronic speed controller for use with up to 6 ceiling-mounted fans.
- Convertible to flush-mounted using SCB5 Kit.
- 220-240V ~ 50 Hz.
- Maximum load: 450W (2.5 A).
- Weight: 0.2 Kg.
- Double insulation.

KIT SCB5 (code 22483)



- Kit to convert SCNR5 and SCNRL5 5 position controllers from surface to flush mounted.

KIT SCB (code 22481)



- Kit to convert C 2.5 electronic speed controller from surface to flush mounted.

ACCESSORIES

FLUSH OR WALL MOUNTED CONTROLS

SC 503 B (cod. 12801)



SC 503 N (cod. 12802)



SC EXT B (cod. 12803)



Thanks to their simple innovative design, these units more than meet the aesthetics expected of them for both domestic and commercial applications. Backing plate, knob, sliders and adapters made from polycarbonate; face plate and controller for wall mounting made from UV-resistant ABS. On the white and anthracite grey flush mounted versions, the knob and face plate are in matching colours. Both the flush and wall mounted version come with:

- knob with settings from 0 to 5 for various speeds (0 = OFF, 1-5 = fan speed);
- a LED that shows when the fan is ON.
- two slider switches - one for the light and the other to reverse the fan (where applicable).
- Vortice ceiling fan controls are IMQ approved solely and exclusively for use with Vortice ceiling fans.

AVAILABLE OPTIONAL ANCILLARIES



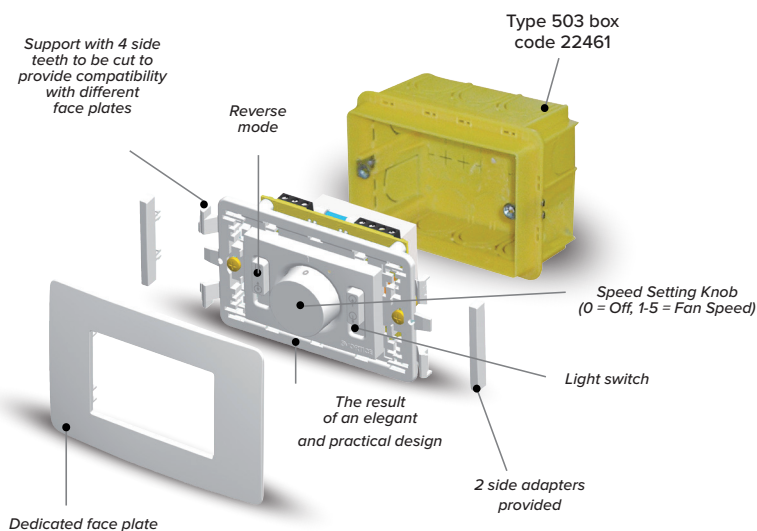
Anthracite grey face plate
code 22463



White face plate
code 22462



Recessed versions, thanks to an intermediate adjustable support, can be coupled with various existing standard face plates, satisfying diverse aesthetic requirements.

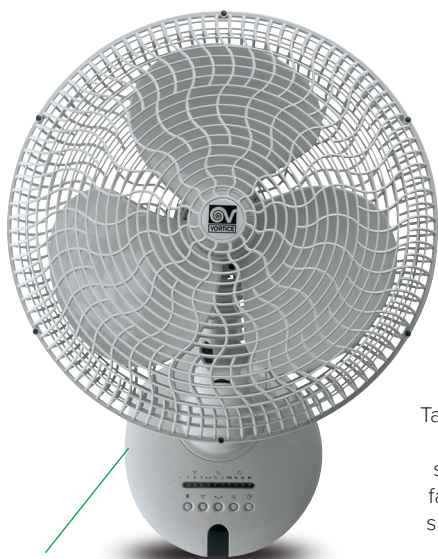


Power supply voltage (V): 220 - 240
Power supply frequency (Hz): 50
Max power consumption (W): 18

GORDON RANGE

Suitable for domestic applications: kitchens, bathrooms, of ces, shops, restaurants, bars, etc....

- 6 models: 2 table models, 2 wall models and 2 stand models.
- 2 nominal diameter 300 and 400 mm.
- Material: plastic resin able to withstand aging induced by exposure to sunlight (UV-resistant), and formulated with an antistatic compound to prevent accumulation of dust.
- 3 speed asynchronous motor with thermal overload protection and shaft turning in self-aligning and self-lubricating bushings, coupled to oscillating mechanism generating movement through an angle of approx 90° maximum.
- Motor housing equipped with hinge and clamp knob for adjustment of tilt angle.
- Rotary on/off switch and fan speed selector.
- On/off switch and speed selector (rotary control incorporated into rear of motor housing)
- Power cord with moulded plug.
- Equipped with stretch spiral power cord including plug.
- Maximum airflow 4000 m³/h.
- IMQ SAFETY and IMQ PERFORMANCE certifications.
- Protection rating: IP20
- Insulation class: CI.II.



Diameter
300 and 400 mm

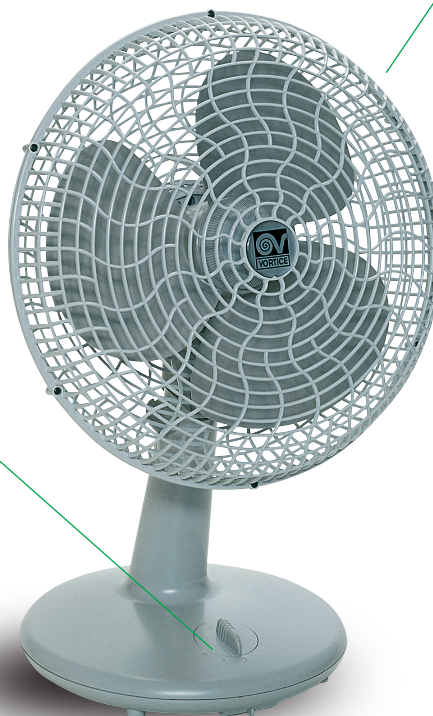
Lit LEDs on the base of Gordon W models indicate when function is on



Gordon W remote control

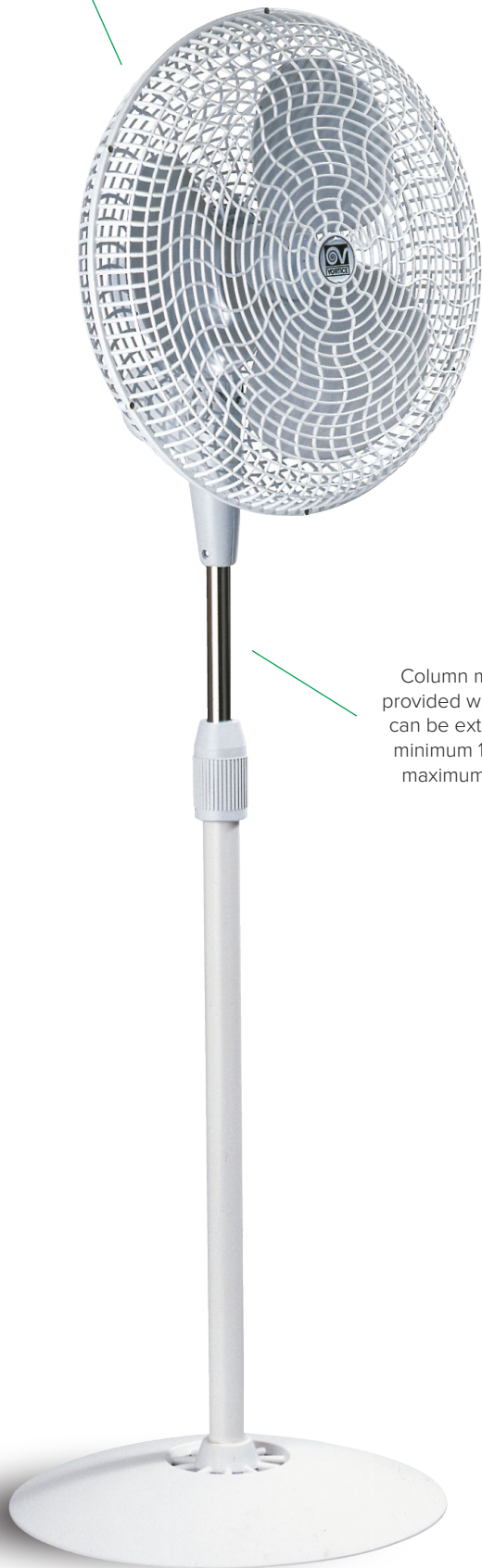
Small and handy, for remote operation of the following functions: on, off, speed, oscillations, breeze, timers

Table fans are controlled by a rotating switch set on the base of the fan, with which rotating speed can be switched on/off and varied in sequence

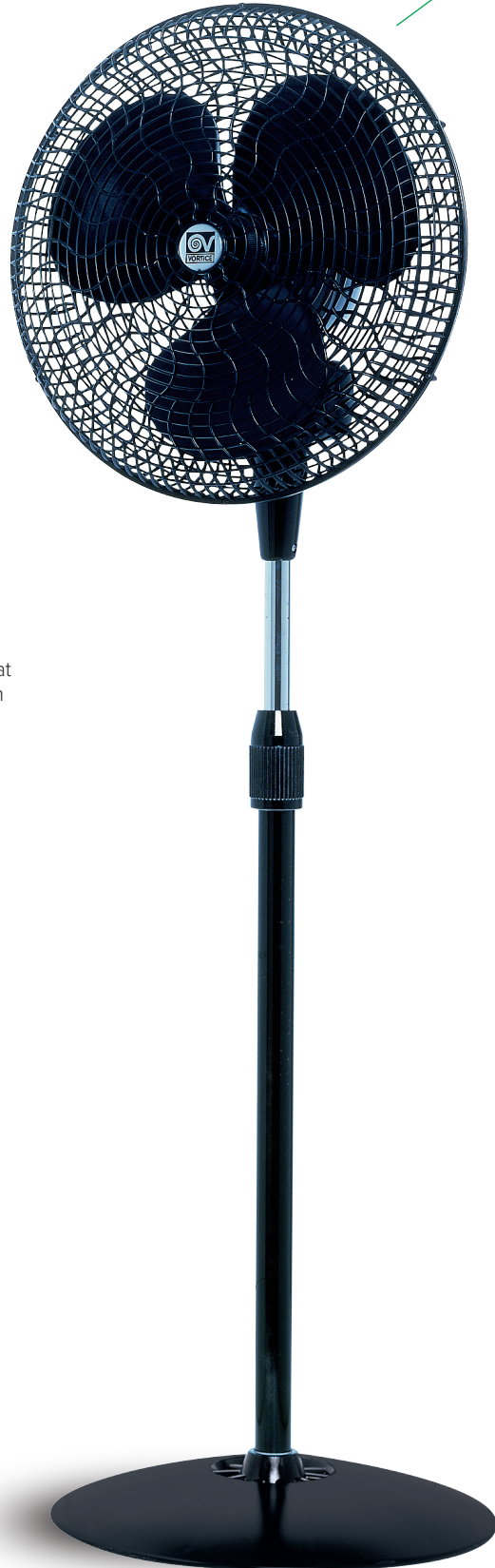


Diameter
300 and 400 mm

Diameter
300 and 400 mm



Diameter
300 and 400 mm



Column models are
provided with a rod that
can be extended from
minimum 1480 mm to
maximum 1800 mm

TECHNICAL DATA

| MODELS | CODE | COLOR | V | HZ | W | A | RPM | NR. BLADE | MAX AIRFLOW m ³ /h | IP | Kg |
|--------------------|-------|-------|---------|-------|----|------|------|-----------|----------------------------------|----|-----|
| GORDON 30/12" | 60610 | | | | 35 | 0.18 | 1300 | | 2400 | | 2.4 |
| GORDON 40/16" | 60615 | grey | | | | | | | | | 2.7 |
| GORDON C 40/16" | 60620 | | 220-240 | 50/60 | 40 | 0.19 | 1145 | 3 | 4000 | | 5.4 |
| GORDON C 40/16" N | 60621 | black | | | | | | | | | |
| GORDON W 30/12" ET | 60643 | | | | 35 | 0.18 | 1300 | | 2400 | 20 | 2.7 |
| GORDON W 40/16" ET | 60641 | grey | | | 40 | 0.19 | 1145 | | 4000 | | 3.0 |

GORDON RANGE | TECHNICAL DATA FOR REGULATION N° 206/2012 UE

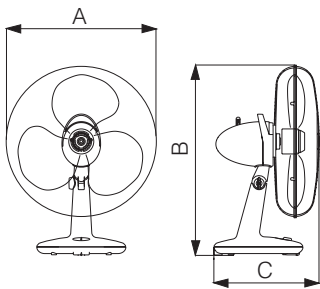
| | SYMBOL | UNIT OF MEASURE | GORDON 30/12" | GORDON 40/16" | GORDON C 40/16" | GORDON C 40/16" N | GORDON W 30/12" ET | GORDON W 40/16" ET |
|---------------------------|--------|------------------------|---------------|---------------|-----------------|-------------------|--------------------|--------------------|
| CODE | | | 60610 | 60615 | 60620 | 60621 | 60643 | 60641 |
| Maximun fan air flow | F | m ³ /min | 40.00 | 66.67 | 66.67 | 66.67 | 40.00 | 66.67 |
| Fanpower input | P | W | 35 | 40 | 40 | 40 | 35 | 40 |
| Service value | SV | (m ³ /min)W | 1.143 | 1.667 | 1.667 | 1.667 | 1.143 | 1.667 |
| Standby power consumption | PSB | kW | 0 | 0 | 0 | 0 | 0.9950 | 0.9950 |
| Fan sound power level | LWA | dB(A) | 50.8 | 57.2 | 57.2 | 57.2 | 50.8 | 57.2 |
| Maximum air velocity | C | m/sec | 1.70 | 1.61 | 1.61 | 1.61 | 1.70 | 1.61 |

Measurement standard for service value

IEC 60879; EN62301: UNI EN ISO 3741

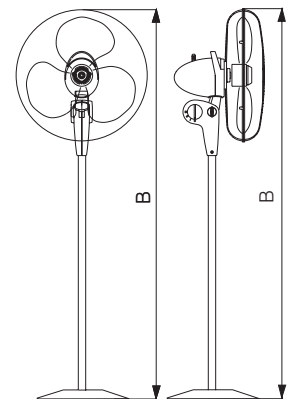
For more information refer to: Vortice Elettrosociali Spa, Strada Cerca, 2 - 20067 Zoate di Tribiano (MI) Italia

DIMENSIONS



| MODELS | ØA | B | C |
|---------------|-----|-------|-------|
| GORDON 30/12" | 364 | 523.5 | 302.6 |
| GORDON 40/16" | 458 | 570.5 | |

Dimensions (mm)

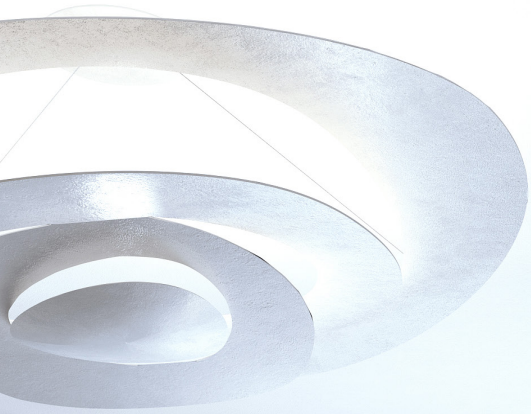


| MODELS | ØA | B | C |
|--------------------|-----|-----|-----|
| GORDON W 30/12" ET | 365 | 550 | 335 |
| GORDON W 40/16" ET | 460 | 600 | |

Dimensions (mm)

| MODELS | ØA | B | C |
|-------------------|-----|----------|-----|
| GORDON C 40/16" | 458 | min 1480 | 420 |
| GORDON C 40/16" N | | max 1800 | |

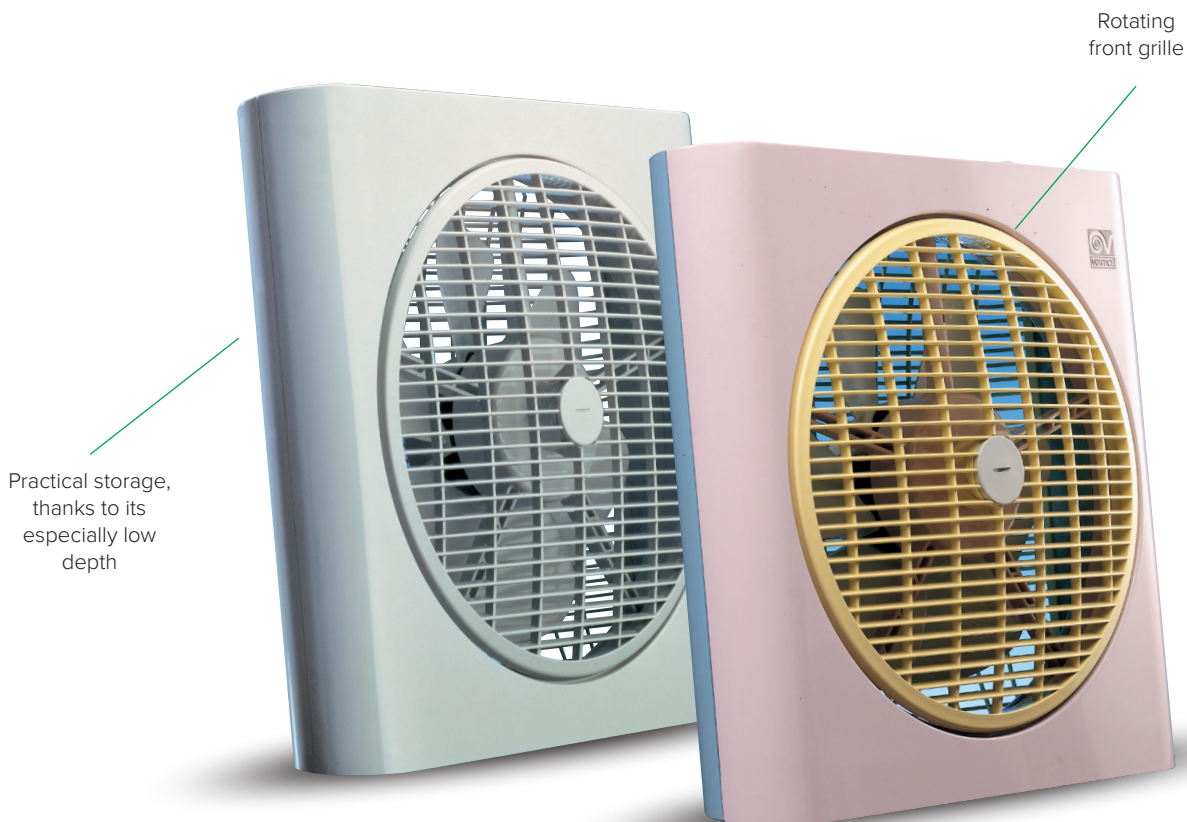
Dimensions (mm)



ARIANTE® RANGE

Suitable for domestic and commercial applications due to its unique spiral airflow.

- Casing moulded from plastic resin able to withstand aging induced by exposure to sunlight (UV-resistant), and formulated with an antistatic compound to prevent accumulation of dust.
- Component parts are made in 5 pastel colours (pale yellow, grey, pink, sky blue, light green). Parts are assembled entirely at random, so that the mix of colours will always be different and the visual effect always pleasing and harmonious. There are no less than 78,125 possible combinations. In practice, every Ariante® 30 Arlecchino is different from all others of the series: a unique example of industrial art.
- Nominal diameter: 300 mm
- Protective grilles made of ABS impact- and UV-resistant thermoplastic resin: front grille rotatable, rear grille fixed.
- Fan rotor moulded from ABS thermoplastic resin.
- 3 speed asynchronous motor with shaft turning in self-aligning and self-lubricating bushings; thermal overload protection.
- Air flow 1300 m³/h
- Front grille rotation mechanism incorporating synchronous motor with rubber gear housed in the front part of the casing.
- Provided with two rotary switches: The first switch, which has 4 positions (OFF-1-2-3), is used to turn the fan on and off and select the three speeds of the rotor; the second switch, which has 2 positions (ON and OFF), is used to control the rotation of the front grille by turning the synchronous drive motor on or off.
- PVC power cord, length 1.80 m, with 10A moulded plug conforming to the requirements of the EU Machinery Directive.
- IM Q safety and performance certifications
- Recipient of the Compasso D'oro award for product design
- Insulation class: Cl.II



Practical storage,
thanks to its
especially low
depth

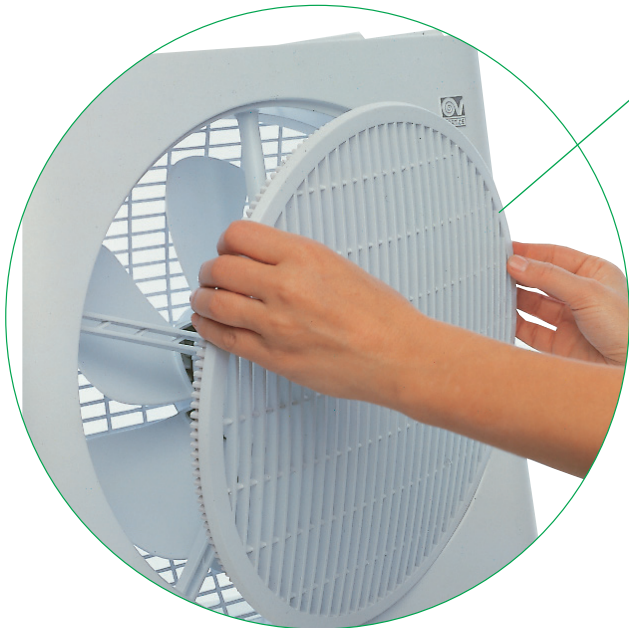


Control unit made up
of two rotary switches:
The first switch has 4 positions,
controls switch-on and switch-off
and allows for the selection of 3
speeds. The second switch
has 2 positions and controls
front grille rotation.

The power cable can be
wound and retracted into the
corresponding niche at the
bottom of the unit



Easy removable front
grille for simple cleaning
and maintenance



ARIANTE RANGE

ROTATING, MULTI-DIRECTIONAL TABLE AND FLOOR FANS

TECHNICAL DATA

| MODELS | CODE | COLOR | V 50/60HZ | W | A | RPM | NR. BLADE | MAX AIRFLOW m ³ /h | Kg |
|-----------------------|-------|-------------|-----------|----|------|------|-----------|----------------------------------|-----|
| ARIANTE 30 | 60790 | GREY | 220 - 240 | 35 | 0,17 | 1075 | 6 | 1306 | 3.5 |
| ARIANTE 30 ARLECCHINO | 60795 | MULTI COLOR | | | | | | | |

ARIANTE® RANGE | TECHNICAL DATA FOR REGULATION N° 206/2012 UE

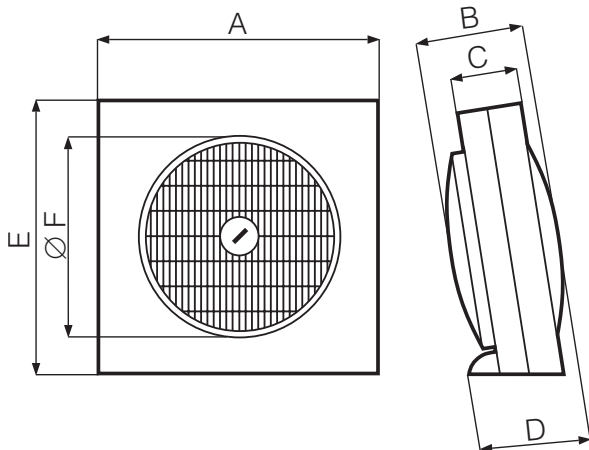
| | SYMBOL | UNIT OF MEASURE | ARIANTE 30 | ARIANTE 30 ARLECCHINO |
|---------------------------|--------|------------------------|------------|-----------------------|
| CODE | | | 60790 | 60790 |
| Maximun fan air flow | F | m ³ /min | 21,77 | 21,77 |
| Fanpower input | P | W | 35 | 35 |
| Service value | SV | (m ³ /min)W | 0,622 | 0,622 |
| Standby power consumption | PSB | kW | 0.9950 | 0.9950 |
| Fan sound power level | LWA | dB(A) | 54,5 | 54,5 |
| Maximum air velocity | C | m/sec | 2,03 | 2,03 |

Measurement standard for service value

IEC 60879; EN62301: UNI EN ISO 3741

For more information refer to: Vortice Elettrosociali Spa, Strada Cerca, 2 - 20067 Zoate di Tribiano (MI) Italia

DIMENSIONS



| MODELS | A | B | C | D | E | ØF |
|-----------------------|-----|-----|----|-----|-----|-----|
| ARIANTE 30 | 440 | 162 | 90 | 175 | 440 | 335 |
| ARIANTE 30 ARLECCHINO | | | | | | |

Dimensions (mm)



ARIANTE® TOWER RANGE

A latest generation fan, attractively styled and capable of guaranteeing effective cooling even over longer distances.

- Outer casing, base, tangential (cross-flow) impeller, scroll and remote control shell moulded from thermoplastic resin (ABS).
- Supporting structure provided by two extruded aluminium columns, one on either side, connected to the base and rotatable about a vertical axis through 60° approx to channel the flow of air in the preferred direction.
- 3 speed induction motor with start capacitor, shaft turning in high quality self-aligning and self-lubricating bushings; protected by thermal load limiter.
- Air flow 1300 m³/h.
- Mechanism inducing oscillation about vertical axis, driven by synchronous electric motor.
- Infrared remote control supplied as standard
- Remote control functions duplicated by Soft Touch local controls positioned at the top of the tower and protected by a cover provided with cushioned retaining catch.
- Set of luminous indicators located on the top front section of the tower casing, showing the selected operating mode of the appliance.
- PVC power cord, length 2 m, with 10A moulded plug (versions also available with Schuko 16A plug and UK 13A plug).
- Insulation class: Cl.II

Standard IR remote control: small and handy, works at a maximum distance of 5 m.



Lets you easily control all the following functions from a distance: on/ off, impeller rotating speed, the 3 timer operating modes.

Practical remote control housing at the bottom of the unit



The on-board "soft touch" type controls replicate the remote control functions. They are housed at the top of the unit and protected by a cover fitted with a shockproof opening/closing system



Indicator light unit near the top of the front fan casing displays the set operating mode.

ARIANTE TOWER RANGE

OSCILLATING TOWER FANS

TECHNICAL DATA

| MODELS | CODE | COLOR | V | HZ | W | A | RPM | NR. BLADE | MAX AIRFLOW m ³ /h | Kg |
|---------------------|-------|-------|-----------|-------|----|------|------|-----------|----------------------------------|-----|
| ARIANTE TOWER SUPER | 63015 | GREY | 220 - 240 | 50/60 | 40 | 0.18 | 1200 | Tang. | 2323 | 5.2 |

ARIANTE® RANGE | TECHNICAL DATA FOR REGULATION N° 206/2012 UE

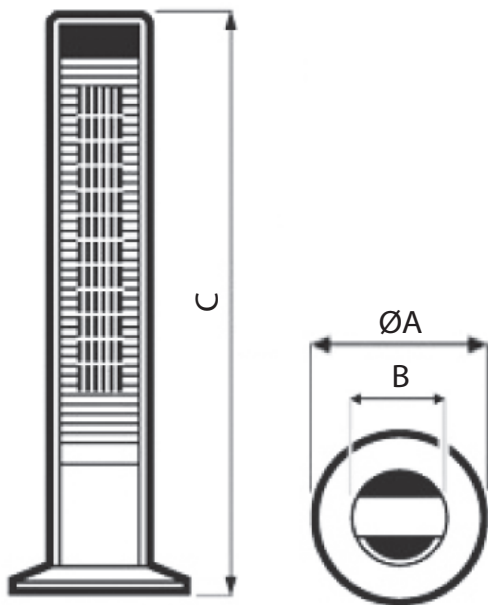
| CODE | SYMBOL | UNIT OF MEASURE | ARIANTE TOWER SUPER |
|---------------------------|--------|------------------------|---------------------|
| 63015 | | | |
| Maximun fan air flow | F | m ³ /min | 38.72 |
| Fanpower input | P | W | 40 |
| Service value | SV | (m ³ /min)W | 0.968 |
| Standby power consumption | PSB | kW | 0.7240 |
| Fan sound power level | LWA | dB(A) | 55.2 |
| Maximum air velocity | C | m/sec | 2.52 |

Measurement standard for service value

IEC 60879; EN62301: UNI EN ISO 3741

For more information refer to: Vortice Elettrosociali Spa, Strada Cerca, 2 - 20067 Zoate di Tribiano (MI) Italia

DIMENSIONS



| MODELS | CODE | ØA | B | C |
|---------------------|-------|-----|-----|------|
| ARIANTE TOWER SUPER | 63015 | 306 | 172 | 1050 |

Dimensions (mm)



VORTICE GROUP COMPANIES

VORTICE S.P.A

Strada Cerca, 2
Frazione di Zoate
20067 Tribiano
(Milan) Italy
Tel. (+39) 02 906991
Fax (+39) 02 90699625
vortice.com

VORTICE LIMITED

Beeches House
Eastern Avenue
Burton on Trent
DE13 0BB United Kingdom
Tel. (+44) 1283-49.29.49
Fax (+44) 1283-54.41.21
vortice.ltd.uk

VORTICE INDUSTRIAL S.R.L.

Via B. Brugnoli 3,
37063 Isola della Scala
(Verona) Italy
Tel. (+39) 045 6631042
Fax (+39) 045 6631039
vorticeindustrial.com

CASALS VENTILACIÓN AIR INDUSTRIAL S.L.

Ctra. Camprodon, s/n 17860
Sant Joan de les Abadesses
(Girona) Spain
Tel. (+34) 972720150
casals.com

VORTICE LATAM S.A.

Bodega #6
Zona Franca Este Alajuela,
Alajuela 20101
Costa Rica
Tel. (+506) 2201 6934
vortice-latam.com

VORTICE VENTILATION SYSTEM

(Changzhou) Co.LTD
No. 388 West Huanghe Road
Building 19, Changzhou
Post Code: 213000 China
Tel. (+86) 0519 88990150
Fax (+86) 0519 88990151
vortice-china.com

The descriptions and illustrations in this catalogue are intended to be indicative and not binding. Without prejudice to the essential characteristics of the products described and illustrated here, VORTICE reserves the right to make, at any time and without notice, any changes to parts, aesthetic details or supply of accessories to its products that are deemed to be appropriate for improvement or for any construction or commercial requirement. This printout completely cancels and replaces all previous ones.

