



VORTICE

vortice.com



HYGIENE



CATALOGUE

Air and hand dryers & soap dispenser



Vortice main company's philosophy is the concept that "air is our life". Our mission is always to provide effective solutions for improved air quality using the latest technology to develop and manufacture effective products worldwide.

Our current Vortice Headquarters have been located in Tribiano (Milan) since 1972.

Vortice has achieved European market leadership by dedicating their efforts to the production of products for ventilation, climate control, heating, extraction, purification and the treatment of air, for domestic, commercial and industrial applications. Since 1954 Vortice has been synonymous with quality and excellence and continues to make significant improvements by investing in continuous research to improve the efficiency and quality of its products.

VORTICE IN THE WORLD

ENGLAND



Founded in 1977, Vortice Limited is located at Burton on Trent in the East Midlands.

CHINA



Founded in 2012, Vortice Ventilation System is located about 200 Km from Shanghai.

SOUTH AMERICA



Founded in 2012, Vortice Latam in San José, Costa Rica.



INDEX



METAL RANGE pag. 04 Automatic and manual hand dryers	VORTDRY RANGE pag. 24 Wall-mounted hair dryers
OPTIMAL RANGE pag. 08 Automatic and manual hand dryers	VORT FOHN RANGE pag. 28 Gun-type wall mounted hair dryers
PREIMUM RANGE pag. 18 Airblade hand dryers	PREMIUM S RANGE pag. 32 Automatic soap dispenser
EASY DRY RANGE pag. 20 Automatic and manual hair and hand dryers	



ErP compliant
The ErP compliant logo indicates that the appliance is ecocompatible and adheres to the ErP directive 2009/125/CE.



The IMQ (Italian Mark Institute) mark certifies that the product is manufactured in compliance with the provisions of relevant established safety standards and directives.

CERTIFICATIONS

Hygiene Line products comply with the following European Directives and Regulations:

- 2006/42/EC Machines Directive (MD)
- 2014/35/EC Low Voltage Directive (LVD)
- 2014/30/EC Electromagnetic Compatibility Directive (EMC)
- 2005/32/CE Stand by Directive
- 2009/125/EC ErP Directive, Ecocompatible design of energy-related products in accordance with EU regulation 327/2011.
- 2011/65/EU RoHS Restriction of Hazardous Substances in Electrical and Electronic Equipment
- 2012/19/EU WEEE Electrical and Electronic Equipment Waste Directive

Safety:

EN 60335-1
EN 60335-2-80
EN 60529
EN 62233

EMC:

EN 55014-1
EN 55014-2
EN 61000-3-2
EN 61000-3-3

European Regulation N° 1275/2008/UE
European Regulation N° 206/2012.



METAL RANGE

Automatic and manual hand dryers

Automatic and manual wall-mounted hand dryers with 360° adjustable nozzle. run by powerful motors, these dryers are particularly suitable for installation in heavy duty use public areas (swimming pools, gyms, wellness centres, etc.).

- 360° adjustable nozzle.
- Vandal-resistant.
- IK10 degree of protection.
- Compliant with the requirements of European Regulation No. 1275/2008/EU.

Scratch resistant paint
and vandal-resistant lock.

METAL DRY cod. 19221

METAL DRY A cod. 19220

METAL DRY ULTRA A cod. 19230

Automatic models are fitted with an infrared device which starts the product automatically when hands enter the sensor detection field, which can be adjusted using a "trimmer" inside the product.



The manual version is button-activated. Air delivery can be programmed to operate from 20 to 60 seconds.



The 360° adjustable nozzle allows air flow in any direction.

TECHNICAL FEATURES

- 3 models with distinctive motors, features offered and finishes: glossy white (METAL DRY and METAL DRY A) and brushed aluminium (METAL DRY ULTRA A).
- Die cast aluminium front covers.
- Wall flanges made of plastic resin with a mineral-based additive to dampen vibrations and soften noise.
- 360° adjustable diffuser with grille, protected with scratch resistant powder paint and clear cover.
- Scroll and motor cover made of anti-UV treatment, shock-proof plastic resin (ABS).
- Thermally protected induction motors with shafts mounted on ball bearings paired with centrifugal impellers.
- Heating elements protected with thermal fuse and resettable thermal cut-out.
- Manual start-up models equipped with an electronic timer for automatic product shut-off after a period of time that can be programmed during installation to operate from 20 to 60 seconds.
- Automatic models (A) can be activated via an infrared device (IR). Activation distance can be adjusted using a trimmer inside the product during installation from 0 to 35 cm. Automatically shuts off when the sensor is accidentally or intentionally blocked, after 10' of continuous operation.
- Safety certified by third party entity (CE).
- Protection rating from dust and water: IPX4.
- Class of electrical insulation: II (earthing not required).





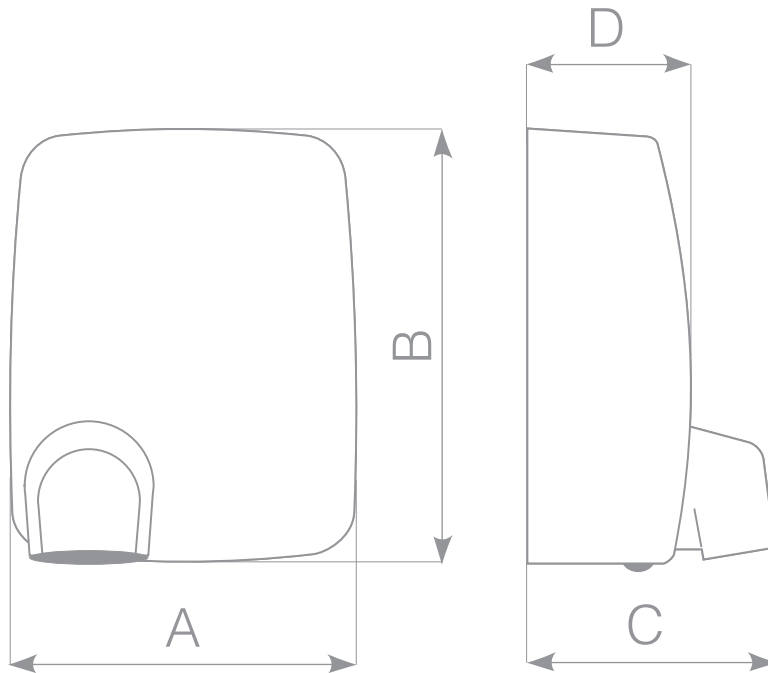
METAL RANGE

Automatic and manual hand dryers

TECHNICAL DATA

MODELS	CODE	V~50/60HZ	W TOTAL	W MOTOR	A MAX	MAX AIRFLOW		Lp dB(A) 1 m	W STAND-BY	IK	KG
						m³/h	l/s				
METAL DRY AUTOMATIC	19220	220-240	1950	140	8.5	190	53	69.8	0.2796	10	7.1
METAL DRY ULTRA A	19230	220-240	1950	140	8.5	190	53	69.8	0.2796	10	7.0
METAL DRY	19221	220-240	1950	140	8.5	190	53	69.8	0.4737	10	7.2

DIMENSIONS



MODELS	CODE	A	B	C	D
METAL DRY AUTOMATIC	19220	280	355	202	139
METAL ULTRA DRY A	19230	280	355	202	139
METAL DRY	19221	280	355	202	139

Dimensions (mm)

APPLICATIONS





OPTIMAL RANGE

Automatic and manual hand dryers

Automatic and manual highly reliable, virtually maintenance-free and stylish design wall-mounted hand dryers, especially suitable for installation in heavy duty use public areas (swimming pools, gyms, wellness centres, etc.).

- Ball bearing, virtually maintenance-free motors.
- IK10 degree of protection for the OPTIMAL DRY METAL model.
- Compliant with the requirements of European Regulation No. 1275/2008/EU

Easy installation and maintenance: simply unlock the cover with the supplied Allen wrench.



Automatic models are fitted with an infrared device which starts the product automatically when hands enter the sensor detection field, which can be adjusted using a "trimmer" inside the product.

OPTIMAL DRY A cod. 19229



The manual version is button-activated. Air delivery can be programmed to operate from 20 to 60 seconds.

OPTIMAL DRY cod. 19226



OPTIMAL DRY METAL cod. 19235



OPTIMAL DRY R A cod. 19227



Asymmetrical design of model Optimal Dry R A.

TECHNICAL FEATURES

- 5 models with distinctive materials, finishes and features offered.
- Front covers made of white shock-proof plastic resin (ABS) with anti-UV treatment (OPTIMAL DRY and OPTIMAL DRY A models), of white heat resistant thermally hardened resin (OPTIMAL DRY R A), or in brushed stainless steel (OPTIMAL DRY METAL). The OPTIMAL DRY A WHITE GOLD model is comparable to the OPTIMAL DRY A model, from which it differs for its metallic mirror finish in white gold colour.
- Wall flanges incorporating the grille for hot air outlet, moulded in plastic resin with a mineral-based additive to dampen vibrations and soften noise.
- Thermally protected induction motors with shafts mounted on ball bearings paired with a centrifugal impeller.
- Heating elements protected with thermal fuse and resettable thermal cut-out.
- Manual start-up models equipped with an electronic timer for automatic product shut-off after a period of time that can be programmed during installation to operate from 20 to 60 seconds.
- Automatic models (A) can be activated via an infrared device. Activation distance can be adjusted using a trimmer inside the product during installation from 0 to 35 cm. Automatically shuts off when the sensor is accidentally or intentionally blocked, after 10' of continuous operation.
- Dust filters.
- Safety certified by third party entity (CE).
- Protection rating from dust and water: IPX4.
- Class of electrical insulation: II (earthing not required).

OPTIMAL DRY A ORO BIANCO cod. 19218

Original variant of the Optimal series, characterised by its metallic mirror finish in white gold colour, obtained through advanced technologies providing attractive and distinctive style, durability and wear resistance. With this product, Vortice reaffirms and reinforces its choice to combine "special" versions with the traditional products in its catalogue, proof of the continuous research conducted by the company to blend exclusive aesthetics with the highest quality technical features.





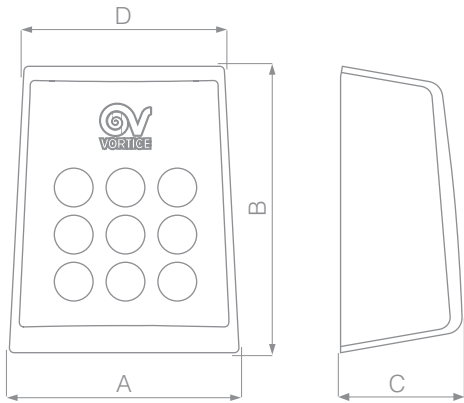
OPTIMAL RANGE

Automatic and manual hand dryers

TECHNICAL DATA

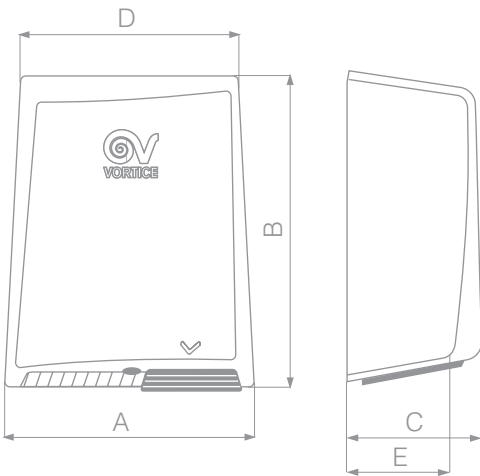
MODELS	CODE	V~50/60HZ	W TOTAL	W MOTOR	A MAX	MAX AIRFLOW		Lp dB(A) 1 m	W STAND-BY	IK	KG
						m³/h	l/s				
OPTIMAL DRY A	19229	220-224	2000	65	9	170	47	61.4	0.4550	9	2.6
OPTIMAL DRY R A	19227	220-224	2000	65	9	170	47	61.4	0.4550	9	3.2
OPTIMAL DRY METAL	19235	220-224	2000	65	9	170	47	61.4	0.4550	10	3.2
OPTIMAL DRY	19226	220-224	2000	65	9	170	47	61.4	0.4060	9	2.6
OPTIMAL DRY A ORO BIANCO	19218	220-224	2000	65	9	170	47	61.4	0.4550	9	2.6

DIMENSIONS



MODELS	CODE	A	B	C	D
OPTIMAL DRY A	19229	253	319	135	220
OPTIMAL DRY METAL	19235	254	320	132	220
OPTIMAL DRY	19226	253	319	135	220
OPTIMAL DRY A ORO BIANCO	19218	253	319	137	220

Dimensions (mm)



MODELS	CODE	A	B	C	D	E
OPTIMAL DRY R A	19227	253	319	135	220	115

Dimensions (mm)

APPLICATIONS





PREMIUM RANGE

Automatic and manual hand dryers

Automatic and manual highly reliable, virtually maintenance-free and stylish design wall-mounted hand dryers with low delivered air temperature, especially suitable for installation in heavy duty use public areas (schools, nurseries, etc.).

- Low noise emissions.
- Compliant with the requirements of European Regulation No. 1275/2008/EU



PREMIUM DRY A cod. 19224

Automatic models are fitted with an infrared device which starts the product automatically when hands enter the sensor detection field, which can be adjusted using a "trimmer" inside the product.



The manual version is button-activated. Air delivery can be programmed to operate from 20 to 60 seconds.



PREMIUM DRY cod. 19225

TECHNICAL FEATURES

- 2 models: automatic and manual.
- Front covers made of white shock-proof plastic resin (ABS) with anti-UV treatment.
- Wall flange incorporating the grille for hot air outlet, moulded in plastic resin with a mineral-based additive to dampen vibrations and soften noise.
- Thermally protected induction motors with shafts mounted on ball bearings paired with a centrifugal impeller.
- Heating elements protected with thermal fuse and resettable thermal cut-out.
- Manual start-up PREMIUM DRY model equipped with an electronic timer for automatic product shut-off after a period of time that can be programmed during installation to operate from 20 to 60 seconds.
- Automatic start-up PREMIUM DRY A model can be activated via an infrared device. Activation distance can be adjusted using a trimmer inside the product during installation from 0 to 35 cm. Automatically shuts off when the sensor is accidentally or intentionally blocked, after 10' of continuous operation.
- Dust filters.
- Safety certified by third party entity (CE).
- Protection rating from dust and water: IPX4.
- Class of electrical insulation: II (earthing not required).





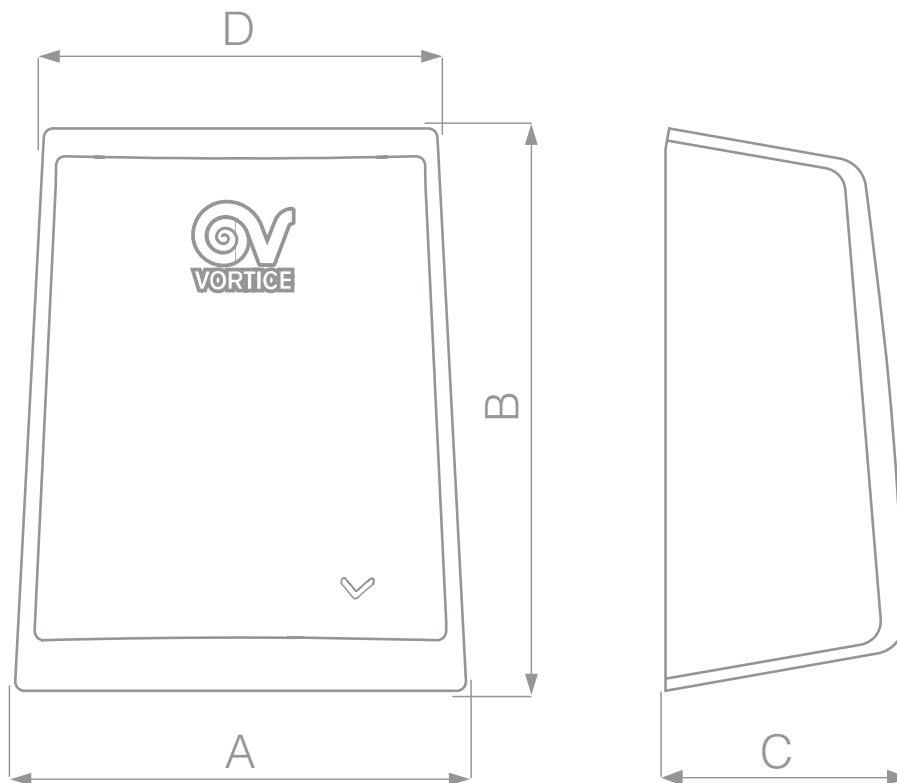
PREMIUM RANGE

Automatic and manual hand dryers

TECHNICAL DATA

MODELS	CODE	V~50/60HZ	W TOTAL	W MOTOR	A MAX	MAX AIRFLOW		Lp dB(A) 1 m	W STAND-BY	IK	KG
						m ³ /h	l/s				
PREMIUM DRY A	19224	220-224	1350	45	5.5	120	35	55.2	0.4550	9	2.3
PREMIUM DRY	19225	220-224	1350	45	5.5	130	35	55.2	0.4060	9	2.3

DIMENSIONS



MODELS	CODE	A	B	C	D
PREMIUM DRY A	19224	253	319	137	220
PREMIUM DRY	19225	253	319	137	220

Dimensions (mm)

APPLICATIONS





VORT SUPER DRY RANGE

Airblade hand dryers

Automatic airblade hand dryers. Fitted with HEPA filter and germicidal UV lamp for user hygiene and a powerful EC brushless motor, these are particularly suitable for installation in heavy duty use public areas (swimming pools, gyms, wellness centres, etc.).

- High pressure airblade technology.
- Especially low drying times: 10" thanks to its double air flow generated by a brushless motor.
- Built-in HEPA filter and UV lamp.
- Built-in drip collector.
- Compliant with the requirements of European Regulation No. 1275/2008/EU.



Display to show remaining drying time with lights to indicate operation and sterilisation status and to highlight any failures.

Easy and efficient: simply place hands inside the device and powerful air jets dry the two sides of the hands at the same time. Vort Super Dry UV automatically stops as soon as hands are removed.

The shape of the inlet, open on both sides and inclined forward 15°, makes hand insertion and removal easier.

Dry hands in 20", while saving. Reduced drying time thanks to the powerful dual air jet guaranteed by the EC brushless motor.

Sensor to prevent sprays of water on body.

Air speed: 342 Km/h.

The HEPA filter prevents the risk of contact with any allergens in the environment.

Full tank indicator:

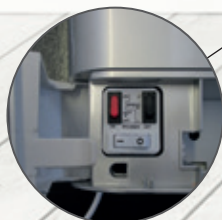


VORT SUPER DRY UV B cod. 70907



Residual water drop collector.

Control panel for fast, easy access to manual device setting: on/off switching, speed selection and electrical resistance.



VORT SUPER DRY UV G cod. 70908

TECHNICAL FEATURES

- 2 models, different colour options.
- Moulded enclosures made of shock-proof, self-extinguishing resin (VO) in white or silver depending on the model.
- Steel sheet wall-mounting flanges.
- EC brushless thermally protected motors with shafts mounted on ball bearings.
- Heating elements that can be disabled: a special button deactivates them when temperatures are high to lower consumption related to the heating of handled air.
- Germicidal lamps.
- Turns off immediately when hands are removed.
- Vandal-resistant protection built into the control electronics to automatically stop the product after 25" of continuous operation.
- Protection against overheating, overloads and short circuits.
- Control electronics with LCD display that signals remaining drying time and a set of warning lights to highlight any failures.
- Drop collector.
- HEPA filter.
- Protection rating from dust and water: IPX4.
- Class of electrical insulation: I (grounding required).

HIGHLIGHTS

Comparing* Vort Super Dry UV to a traditional dryer with commutator motor and with paper wipes, savings through use of Vort Super Dry UV are highlighted.

FREQUENCY OF USE	ANNUAL ENERGY COSTS (€)		
	VORT SUPER DRY UV	TRADITIONAL DRYERS	PAPER WIPES
10 uses/h	101.00.	412.00.	1,752.00.
20 uses/h	205.00.	822.00.	3,504.00.
40 uses/h	406.00.	1,643.00.	7,008.00.

* Simulations were based on the following assumptions:

- Drying time of 10 seconds with Vort Super Dry UV (with heating element set to 900 W);
- Drying time 30 seconds with traditional hand dryers equipped with commutator motors;
- 2 paper wipes average used at each drying cycle;
- Paper wipes unit cost: €0.01;
- Hourly cost of electricity: €0.25/ kWh.

Simulations do not take into account maintenance costs related to periodic replacement of commutator motor brushes or replacement of paper wipes.





VORT SUPER DRY RANGE

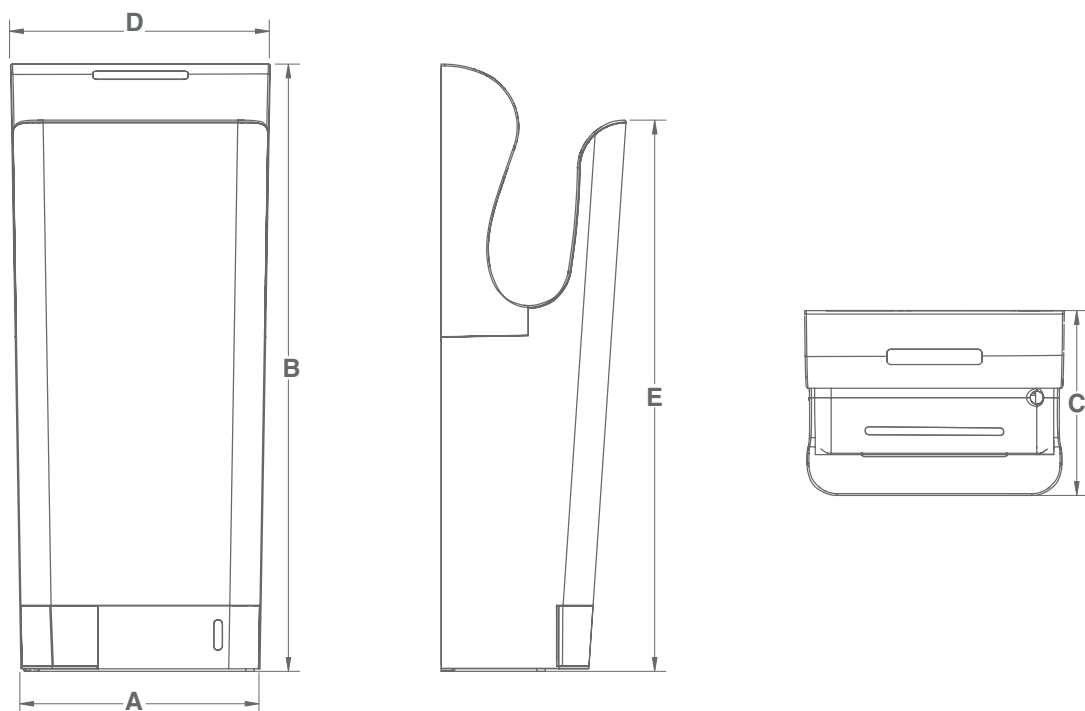
Airblade hand dryers

TECHNICAL DATA

MODELS	CODE	V~50/60HZ	W TOTAL	W MOTOR	RPM MOTOR	AIR SPEED* Km/h	Lp dB(A) 1 m	KG
VORT SUPER DRY UV B	70907	220-224	1650/2050	750	20000	76	76	11
VORT SUPER DRY UV G	70908	220-224	1650/2050	750	20000	76	76	11

* Speed detected when the user's hands enter its field.

DIMENSIONS



MODELS	CODE	A	B	C	D	E
VORT SUPER DRY UV B	70907	278	705	215	300	638
VORT SUPER DRY UV G	70908	278	705	215	300	638

Dimensions (mm)

APPLICATIONS





EASY DRY RANGE

Automatic and manual hair and hand dryers

Wall-mounted hair dryers especially suited to heavy duty use in public areas such as gym changing rooms, swimming pools, saunas, etc.

- Modern design by D. Piva.
- Vandal-resistant
- Can be connected to an external coin collector.
- Compliant with the requirements of European Regulation No. 1275/2008/EU



EASY DRY AUTO cod. 70904



"Cassette" type lower filtering grille



EASY DRY MANUAL, push-button operated, air supply can be programmed from 1 to 8 minutes using a trimmer inside the product.

EASY DRY MANUAL cod. 70909

Tested to work even in contact with water jets and therefore are compatible with Zone 1 bathroom installation.

TECHNICAL FEATURES

- 2 models: manual and automatic.
- Front covers made of white shock-proof plastic resin (PC-ABS) with anti-UV treatment, closing system with Allen key for protection against tampering. Its particular geometry without any surfaces where cigarettes or other potentially dangerous objects can be set down safeguards users and product durability. The perimeter gasket at the edges of the appliance in contact with the installation wall helps prevent progressive build-up on the wall caused by the dust suctioned by the appliance.
- Wall flanges made of plastic resin with a mineral-based additive to dampen vibrations and soften noise.
- Lower "cassette" type filtering grille made of heat-resistant plastic resin (PC) includes mesh filters moulded in the same material.
- High-efficiency centrifugal fans powered by a thermally protected induction motor.
- Heating elements protected with thermal fuse and resettable thermal cut-out.
- EASY DRY MANUAL. Start button made of shock-proof plastic resin (PC) with anti-UV treatment. Operating cycle timer can be set at installation from 1-8 minutes using a trimmer inside the product.
- EASY DRY AUTO. Infra-red device sensor that starts/stops the product automatically. Activation range can be set at installation from 0-35 cm using a trimmer inside the product.
- Vandal-resistant feature built into the control electronics to automatically stop the product after about 10" of continuous operation. Appliance can be restarted about 10" from removal of any obstacles previously placed at the sensor.
- Safety certified by third party entity (CE).
- Protection rating from dust and water: IPX4.
- Class of electrical insulation: II (earthing not required).





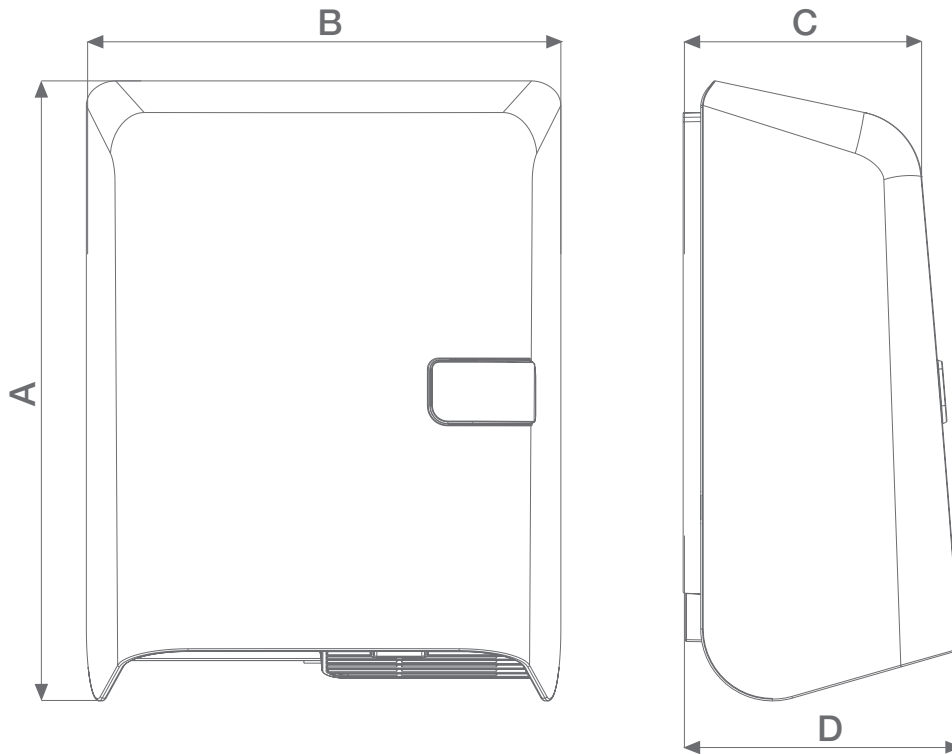
EASY DRY RANGE

Automatic and manual hair and hand dryers

TECHNICAL DATA

MODELS	CODE	V~50/60HZ	W		A MAX	MAX AIRFLOW		Lp dB(A) 1 m	W STAND-BY	IK	KG
			TOTAL	MOTOR		m³/h	l/s				
EASY DRY AUTO	70904	220-240	1800	70/85	8	190	37.5	61	0.4900	9	3.1
EASY DRY MANUAL	70909	220-240	1800	70/85	8	135	37.5	61	0.5010	9	3.1

DIMENSIONS



MODELS	CODE	A	B	C	D
EASY DRY AUTO	70904	346	265	133	155
EASY DRY MANUAL	70909	346	265	133	155

Dimensions (mm)

APPLICATIONS





VORTDRY RANGE

Wall-mounted hair dryers

Extremely safe wall-mounted hair dryers with flexible hose (the live electrical components inside the enclosure are totally separate from the user grip dispensing nozzle, connected to the enclosure by means of a flexible tube made of non-conductive material) particularly suitable for use in unattended public areas.

- Low drying times thanks to the correct combination of air jet flow, speed and temperature..
- Ergonomic grip.
- Compliant with the requirements of European Regulation No. 1275/2008/EU.

Automatic start/stop when the nozzle is removed/put back in its place.

Vortdry Plus is equipped with two razor sockets.

Ergonomic nozzle.



VORTDRY 1000 cod. 70920



VORTDRY 1000 PLUS cod. 70921



VORTDRY 1000 JET cod. 70919

TECHNICAL FEATURES

- 3 models, different in size, performance and type of motor.
- Front covers made of self-extinguishing (V0) and shock-proof (ABS) resin, white with chrome-plated inserts.
- Motor mounting flanges made of self-extinguishing plastic resin with mineral-based additive (V0).
- Flexible spiral PVC hose which extends from 50 to 160 cm with nozzle grip made of heat-resistant and shock-proof resin (ABS).
- Thermally protected commutator-type motors with shafts mounted on ball bearings in VORTDRY 1000 and VORTDRY 1000 PLUS and induction in VORTDRY 1000 JET, paired with centrifugal impellers.
- Heating elements protected with thermal fuse and resettable thermal cut-out.
- Sockets for razors compatible with 230 V/50 Hz and 110 V/60 Hz power, with overload protection (VORTDRY 1000 PLUS model).
- Built-in automatic shut off when the nozzle is put back in place or after about 20' of continuous operation.
- Washable dust filters.
- Safety certified by third party entity (CE).
- Protection rating from dust and water: IPX4.
- Class of electrical insulation: II (earthing not required).





VORTDRY RANGE

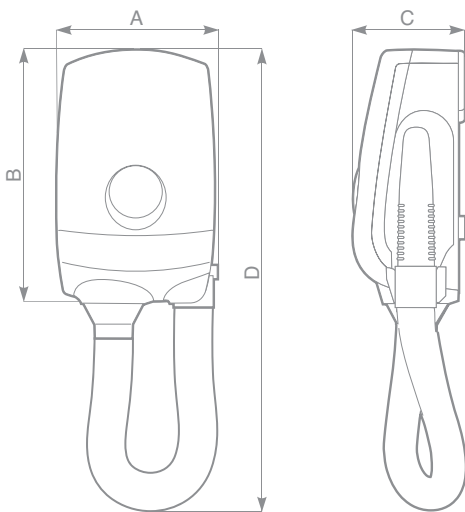
Wall-mounted hair dryers

TECHNICAL DATA

MODELS	CODE	V~50HZ	W TOTAL	W MOTOR	A MAX	MAX AIRFLOW		Lp dB(A) 1 m	W STAND-BY	IK	KG
						m ³ /h	l/s				
VORTDRY 1000	70920	230	1000	120	4.7	114	31.6	68	0.5050	6	1.5
VORTDRY 1000 PLUS	70921	230	1000	120	4.7	114	31.6	68	0.5050	6	1.9
VORTDRY 1000 JET	70919	230	800	90	3.5	190*	52.7*	62	0.5110	9	3.2

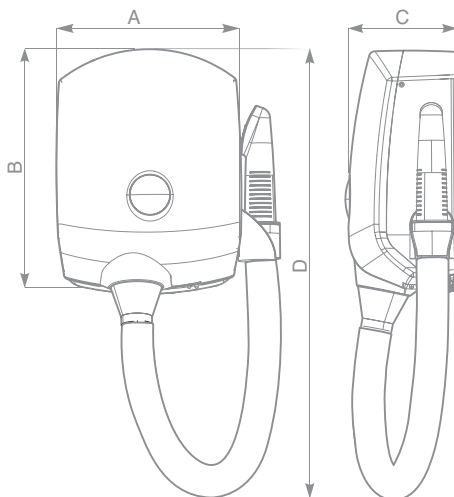
*FLOW refers to the product without a fitting and corrugated hose.

DIMENSIONS



MODELS	CODE	A	B	C	D
VORTDRY 1000	70920	190	300	130	550
VORTDRY 1000 PLUS	70921	190	300	130	550

Dimensions (mm)



MODELS	CODE	A	B	C	D
VORTDRY 1000 JET	70919	320	380	160	560

Dimensions (mm)

APPLICATIONS





VORT FHON RANGE

Gun-type wall mounted hair dryers

Gun-grip hair dryer with wall holder and spiral cord, available in two maximum power versions (1,200 W and 1,600 W) and in versions with or without an electric razor socket, suitable for installation in hotel bathrooms and in public area bathrooms such as in swimming pools, gyms, wellness centres, etc.

- Different selectable power levels.
- Ergonomic grip.
- Compliant with the requirements of European Regulation No. 1275/2008/EU.



VORT FOHN 1200
cod. 70922

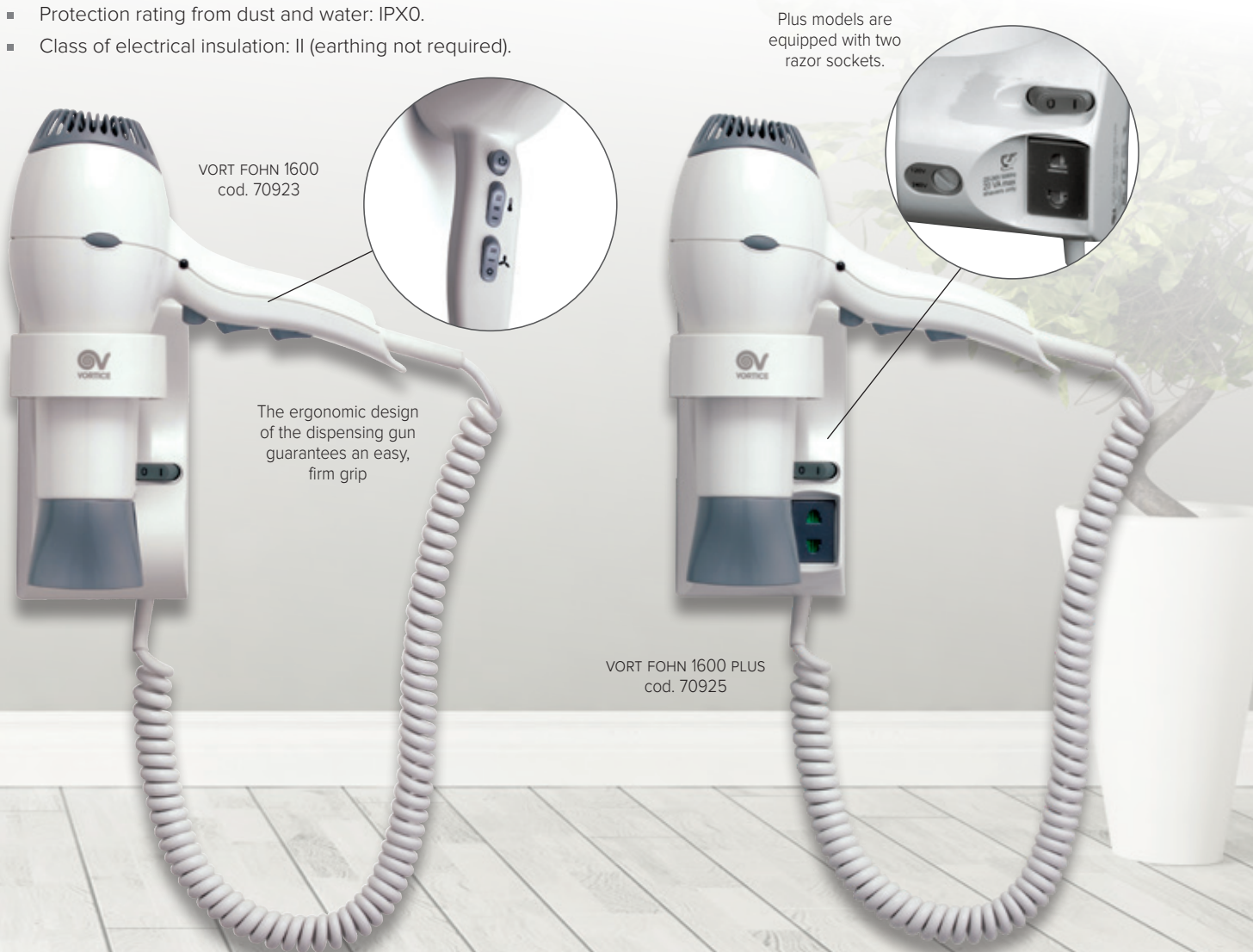


VORT FOHN 1200 PLUS
cod. 70924

Plus models are equipped with two razor sockets.

TECHNICAL FEATURES

- 4 models with different maximum power supplied and with or without electric razor socket.
- Gun-grip made of self-extinguishing (V0), shock-proof (ABS) plastic resin.
- ABS wall holders.
- Nozzle made of thermoplastic material (PP) in VORT FOHN 1200 VORT FOHN 1200 PLUS models.
- Nozzles made of plastic (ABS) self-extinguishing (V0) resin in VORT FOHN 1600 and VORT FOHN 1600 PLUS models.
- Thermally protected 2-speed commutator motor.
- Heating elements protected by automatic reset thermal cut-out.
- Start buttons built into gun grip (for safety reasons the product shuts off when the button is released).
- Power selection buttons: 2 options (600W and 1,200W) in VORT FOHN 1200 and VORT FOHN 1200 PLUS models, 3 options (from 750W to 1,550W), different depending on the fan operating speed on VORT FOHN 1600 and VORT FOHN 1600 PLUS models.
- Fan speed selection buttons (VORT FOHN 1600 and VORT FOHN 1600 PLUS models).
- Socket for electric razors compatible with 230 V/50 Hz and 120 V/60 Hz power (VORT FOHN 1200 PLUS and VORT FOHN 1600 PLUS models).
- Wall holder switch disconnects the mains power supply.
- Dust filters.
- Safety certified by third party entity (CE).
- Protection rating from dust and water: IPX0.
- Class of electrical insulation: II (earthing not required).





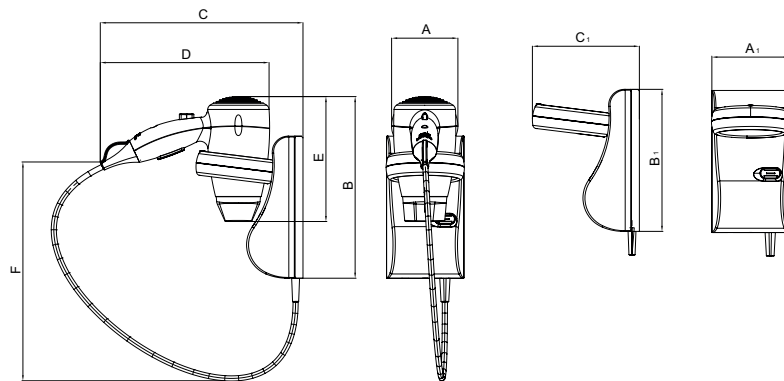
VORT FOHN RANGE

Gun-type wall mounted hair dryers

TECHNICAL DATA

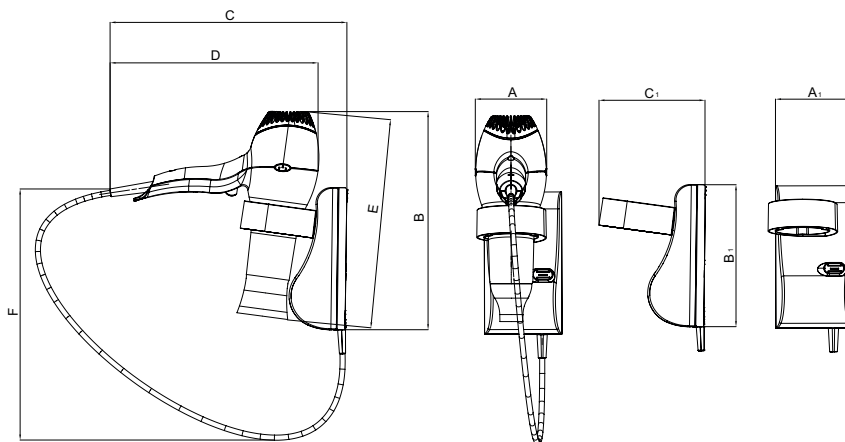
MODELS	CODE	V~50HZ	W TOTAL	W MOTOR	A MAX	MAX AIRFLOW		Lp dB(A) 1 m	KG
						m ³ /h	l/s		
VORT FOHN 1200	70922	230	1200	20	5.22	94	26	71	0.46 + 0.63
VORT FOHN 1200 PLUS	70924	230	1200	20	5.22	94	26	71	0.46 + 0.63
VORT FOHN 1600	70923	230	1600	20	6.95	90	-	69	0.49 + 0.23
VORT FOHN 1600 PLUS	70925	230	1600	20	6.95	90	-	69	0.49 + 0.23

DIMENSIONS



MODELS	CODE	A	B	C	D	E	F	A ₁	B ₁	C ₁
VORT FOHN 1200	70922	95	230	250	230	165	500	-	-	-
VORT FOHN 1200 PLUS	70924	95	230	250	230	165	500	-	-	-
SUPPORTO	-	-	-	-	-	-	-	100	180	140

Dimensions (mm)



MODELS	CODE	A	B	C	D	E	F	A ₁	B ₁	C ₁
VORT FOHN 1600	70923	110	290	290	276	265	520	-	-	-
VORT FOHN 1600 PLUS	70925	110	230	290	276	265	520	-	-	-
SUPPORTO	-	-	-	-	-	-	-	100	180	140

Dimensions (mm)

APPLICATIONS





PREMIUM S RANGE

Automatic soap dispenser

Wall-mounted electric soap dispenser, the perfect complement to Vortice dryers.

- Amount of soap dispensed can be set during installation.
- Amount of soap dispensed can be set during installation.
- Easily adjustable dispense quantity..



PREMIUM S DISPENSER cod. 19228

TECHNICAL FEATURES

- 1 model.
- Front cover made of white shock-proof plastic resin (ABS) with anti-UV treatment.
- Plastic resin wall flanges.
- Peristaltic pump for soap dispensing.
- Automatic operation: the control electronics have an infrared sensor that detects the user's hands in the area under the product and starts dispensing soap. The activation distance can be adjusted during installation using a trimmer inside the product.
- Removable soap container for easy maintenance.
- Drip collector included.
- Overflow protection: there is no danger of short circuiting the system if the soap container is over-filled.
- Safety certified by third party entity (CE).
- Protection rating from dust and water: IPX4.
- Class of electrical insulation: II (earthing not required).





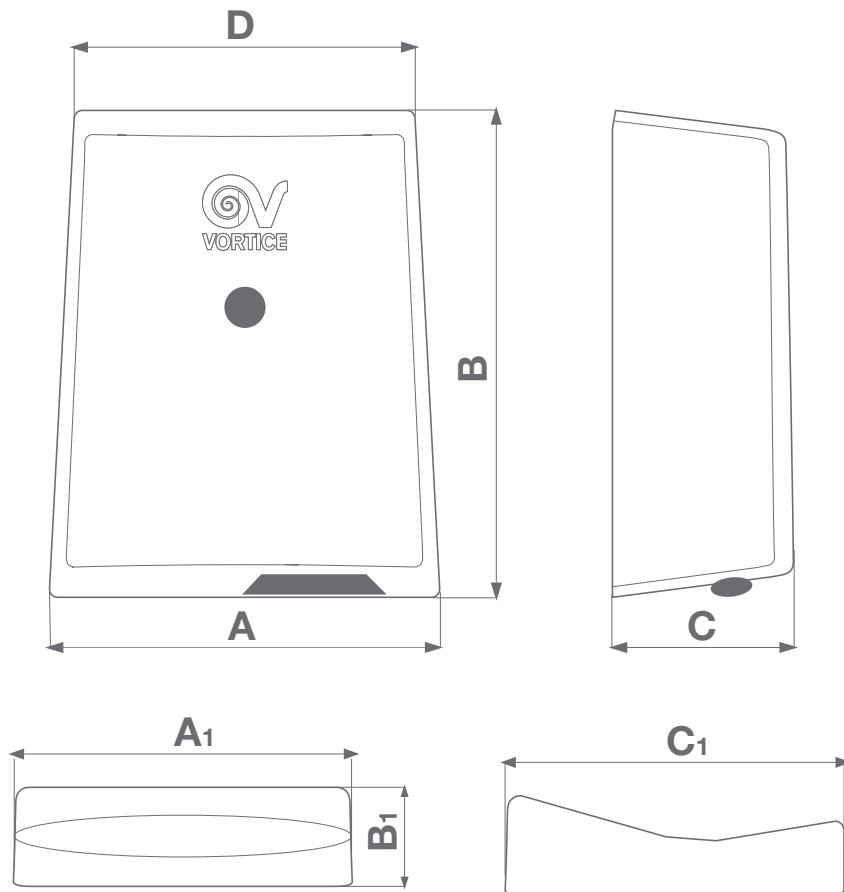
PREMIUM S RANGE

Automatic soap dispenser

TECHNICAL DATA

MODELS	CODE	V~50/60HZ	W MAX	A MAX	SOAP CONTAINER CAPACITY L	W STAND-BY	IK	KG
PREMIUM S DISPENSER	19228	220-240	6	-	0.50	0.3838	9	1.2

DIMENSIONS



MODELS	CODE	A	B	C	D	A ₁	B ₁	C ₁
PREMIUM S DISPENSER	19228	181	257	91	159	-	-	-
RACCOGLI GOCCIA	-	-	-	-	-	135	50	135

Dimensions (mm)

APPLICATIONS



Vortice Elettrosociali S.p.A
Strada Cerca, 2
Frazione di Zoate
20067 Tribiano (Milano)
Tel. (+39) 02 906991
Fax (+39) 02 90699625
Italia
www.vortice.com

Vortice Limited
Beeches House-Eastern
Avenue Burton on Trent
DE13 0BB
Tel. (+44) 1283-49.29.49
Fax (+44) 1283-54.41.21
United Kingdom
www.vortice.ltd.uk

Vortice Ventilation System
(Changzhou) Co.LTD
No. 388 West Huanghe Road
Building 19, Changzhou
Post Code: 213000
China
Tel. (+86) 0519 88990150
Fax (+86) 0519 88990151
www.vortice-china.com

Vortice Latam S.A.
3er Piso, Oficina 9-B
Edificio Meridiano
Guachipelin, Escazú
San José, Costa Rica
PO Box 10-1251
Tel. (+506) 2201.6219
Fax (+506) 2201.6239
www.vortice-latam.com

